



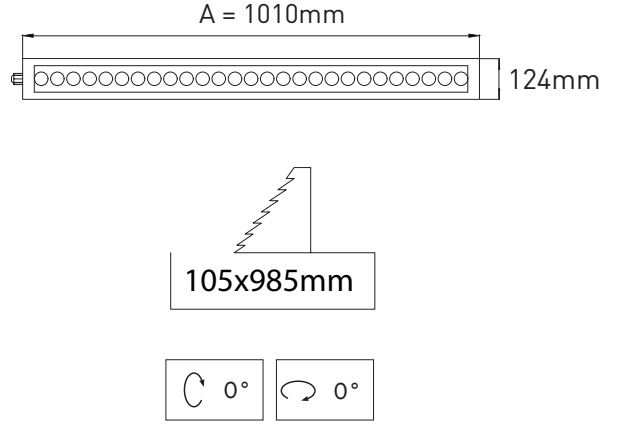
Recessed mounted uplight led wallwasher. Connecting cable and safety plug for portable installation. The used Led technique offers durability and optimal light output with low power consumption. The main body of the luminaires are extrusion aluminium that absorbs the pressure loads. The luminaires can be driven over by vehicles.

Front frame is 316 grade Stainless steel resistant against high corrosion factors of outdoor conditions. In order to be easily flush mounted on ground, aluminium mounting outer body is being supplied with the luminaire.

- Outdoor on floor luminaire with high protection class.
- Safe structures through the tempered pressure resistant glasses.
- Easy applicable luminaires through the inground recessed boxes.
- Max weight resistance : 2000 Kg.
- Led colour temperatures optionally 2700K, 3000K, 3500K, 4000K and 6000K.
- 316 grade Stainless steel frame.
- Symmetrical light distribution with 15°, 30° and 45°.
- Can be mounted on ground, pavement and wall surfaces.
- Consists of main body and outer casing.
- All external screws are Stainless steel.

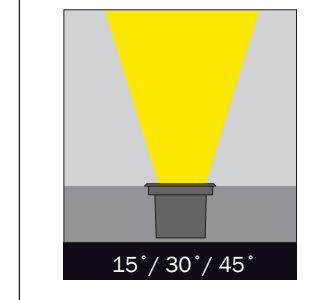


Dimensions



- Outdoor on floor luminaire with high protection class.
- Safe structures through the tempered pressure resistant glasses.
- Easy applicable luminaires through the inground recessed boxes.
- Max weight resistance : 2000 Kg.
- Led colour temperatures optionally 2700K, 3000K, 3500K, 4000K and 6000K.
- 316 grade Stainless steel frame.
- Symmetrical light distribution with 15°, 30° and 45°.
- Can be mounted on ground, pavement and wall surfaces.
- Consists of main body and outer casing.
- All external screws are Stainless steel.

Light Distribution

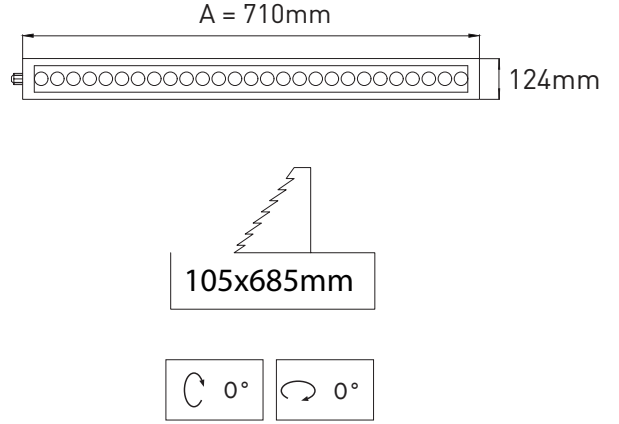


Asteroid-X / LGT.120.102

Order Code /	Led Type	System Power	mA	No. of Leds	Lumen Tc=60°	Kelvin / Color	Lenght / (A)
LGT.120.102.01	Power Led	33W	350mA	27	4086	2700K	1010 mm
LGT.120.102.02	Power Led	33W	350mA	27	4170	3000K	1010 mm
LGT.120.102.03	Power Led	33W	350mA	27	4254	3500K	1010 mm
LGT.120.102.04	Power Led	33W	350mA	27	4342	4000K	1010 mm
LGT.120.102.05	Power Led	33W	350mA	27	4470	6000K	1010 mm
LGT.120.102.06	Power Led	24W	350mA	27	1911	Red	1010 mm
LGT.120.102.07	Power Led	34W	350mA	27	2952	Green	1010 mm
LGT.120.102.08	Power Led	33W	350mA	27	1260	Blue	1010 mm
LGT.120.102.09	Power Led	24W	350mA	27	1389	Amber	1010 mm

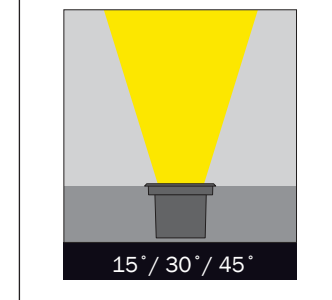


Dimensions



- Outdoor on floor luminaire with high protection class.
- Safe structures through the tempered pressure resistant glasses.
- Easy applicable luminaires through the inground recessed boxes.
- Max weight resistance : 2000 Kg.
- Led colour temperatures optionally 2700K, 3000K, 3500K, 4000K and 6000K.
- 316 grade Stainless steel frame.
- Symmetrical light distribution with 15°, 30° and 45°.
- Can be mounted on ground, pavement and wall surfaces.
- Consists of main body and outer casing.
- All external screws are Stainless steel.

Light Distribution

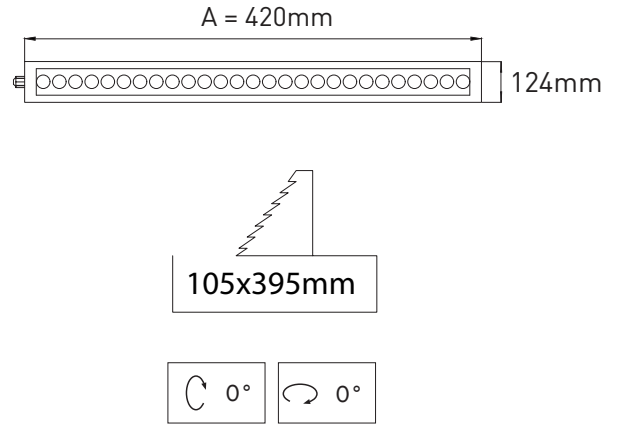


Asteroid-L / [LGT.120.102](#)

Order Code /	Led Type	System Power	mA	No. of Leds	Lumen Tc=60°	Kelvin / Color	Lenght/(A)
LGT.120.102.10	Power Led	22W	350mA	18	2724	2700K	710 mm
LGT.120.102.11	Power Led	22W	350mA	18	2780	3000K	710 mm
LGT.120.102.12	Power Led	22W	350mA	18	2836	3500K	710 mm
LGT.120.102.13	Power Led	22W	350mA	18	2895	4000K	710 mm
LGT.120.102.14	Power Led	22W	350mA	18	2980	6000K	710 mm
LGT.120.102.15	Power Led	16W	350mA	18	1274	Red	710 mm
LGT.120.102.16	Power Led	23W	350mA	18	1968	Green	710 mm
LGT.120.102.17	Power Led	22W	350mA	18	840	Blue	710 mm
LGT.120.102.18	Power Led	16W	350mA	18	926	Amber	710 mm

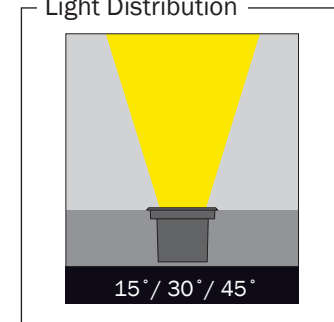


Dimensions



- Outdoor on floor luminaire with high protection class.
- Safe structures through the tempered pressure resistant glasses.
- Easy applicable luminaires through the inground recessed boxes.
- Max weight resistance : 2000 Kg.
- Led colour temperatures optionally 2700K, 3000K, 3500K, 4000K and 6000K.
- 316 grade Stainless steel frame.
- Symmetrical light distribution with 15°, 30° and 45°.
- Can be mounted on ground, pavement and wall surfaces.
- Consists of main body and outer casing.
- All external screws are Stainless steel.

Light Distribution



Asteroid-M /LGT.120.102

Order Code /	Led Type	System Power	mA	No. of Leds	Lumen Tc=60°	Kelvin / Color	Lenght/(A)
LGT.120.102.20	Power Led	11W	350mA	9	1362	2700K	420 mm
LGT.120.102.21	Power Led	11W	350mA	9	1390	3000K	420 mm
LGT.120.102.22	Power Led	11W	350mA	9	1418	3500K	420 mm
LGT.120.102.23	Power Led	11W	350mA	9	1447	4000K	420 mm
LGT.120.102.24	Power Led	11W	350mA	9	1490	6000K	420 mm
LGT.120.102.25	Power Led	8W	350mA	9	637	Red	420 mm
LGT.120.102.26	Power Led	11W	350mA	9	984	Green	420 mm
LGT.120.102.27	Power Led	11W	350mA	9	420	Blue	420 mm
LGT.120.102.28	Power Led	8W	350mA	9	463	Amber	420 mm