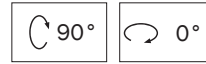
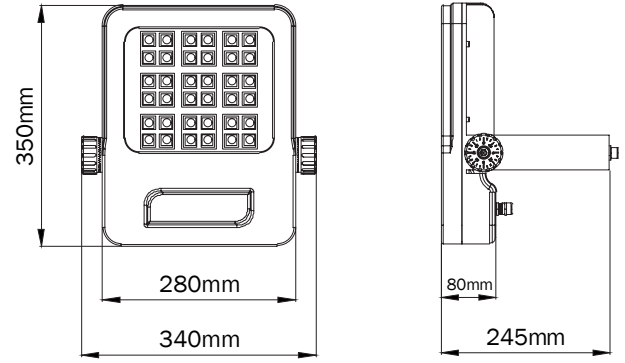
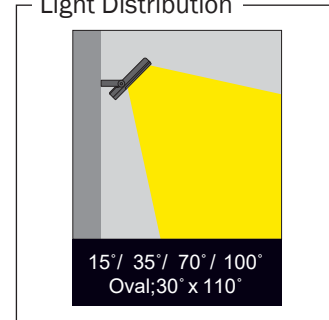


### Dimensions



### Light Distribution



- Direct lighting luminaire for use with LEDs.
- Corrosion resistant die-cast aluminium body.
- Installation with bracket on floor, walls and ceiling surfaces.
- Mains voltage: 220-240V / 50-60Hz.
- Clever thermal design with internal cooling pins.
- Spot, medium, wide, wide flood and oval beam angles available.
- Led colour temperatures are optionally 2700K, 3000K, 3500K, 4000K and 6000K.
- Suitable for illumination up to 20 meter height.
- Optionally 2 cable entries for through-wiring of mains supply cable.
- Internal silicon gaskets ensure IP protection.
- All external screws are stainless steel.
- Double layer polyester powder paint resistant to corrosion and salt spray fog.
- Up to 139lm/W efficiency.
- High colour consistency: <3 SDCM
- Tunable White and RGBW options available.
- Stainless steel cable gland and mains cable provided with IP68 socket.
- Mechanical aiming lock.
- DALI and 1-10V dimming options available.
- Due to high heatsink capacity, Uranus-S can operate in high Ta teperature conditions.

### Uranus-S / LGT.110.103

Order Code	System Power	Kelvin / Color	Driving Current	Dali Dimming Opt.	1-10V Dali Dimming Opt
LGT.110.103.01	100W	2700K	825mA	✓	✓
LGT.110.103.02	75W	3000K	625mA	✓	✓
LGT.110.103.03	50W	3500K	425mA	✓	✓
LGT.110.103.04	25W	4000K	225mA	✓	✓
		6000K			