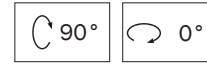
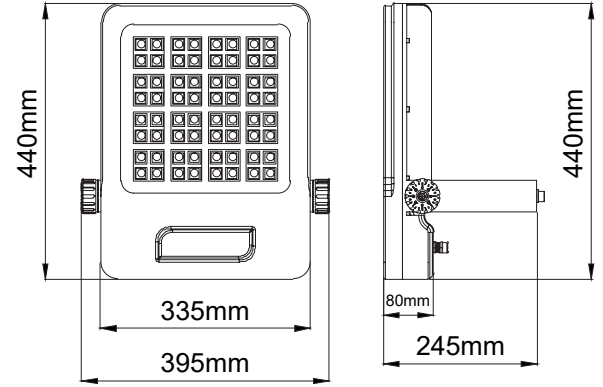


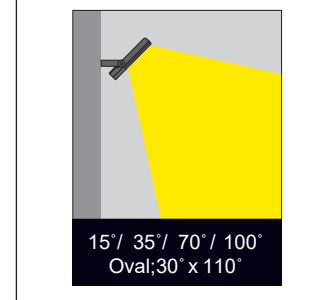


- Direct lighting luminaire for use with LEDs.
- Corrosion resistant die-cast aluminium body.
- Installation with bracket on floor, walls and ceiling surfaces.
- Mains voltage: 220-240V / 50-60Hz.
- Clever thermal design with internal cooling pins.
- Spot, medium, wide, wide flood and oval beam angles available.
- Optionally 2 cable entries for through-wiring of mains supply cable.
- Internal silicon gaskets ensure IP protection.
- All external screws are stainless steel.
- Double layer polyester powder paint resistant to corrosion and salt spray fog.
- Up to 135lm/W efficiency.
- High colour consistency: <3 SDCM
- Tunable White and RGBW options available.
- Stainless steel cable gland and mains cable provided with IP68 socket.
- Mechanical aiming lock.
- DALI and 1-10V dimming options available.
- Due to high heatsink capacity, Uranus can operate in high Ta temperature conditions.

Dimensions



Light Distribution



Code	LGT.110.102.05
Light Color Source	2700K-6000K Tunable White
LED Quantity	64
Beam Angle	15°/35°/70°/100° / Oval; 30°x110°
Digital Interface	Standard DMX protocol
Wireless Control	CASAMBI