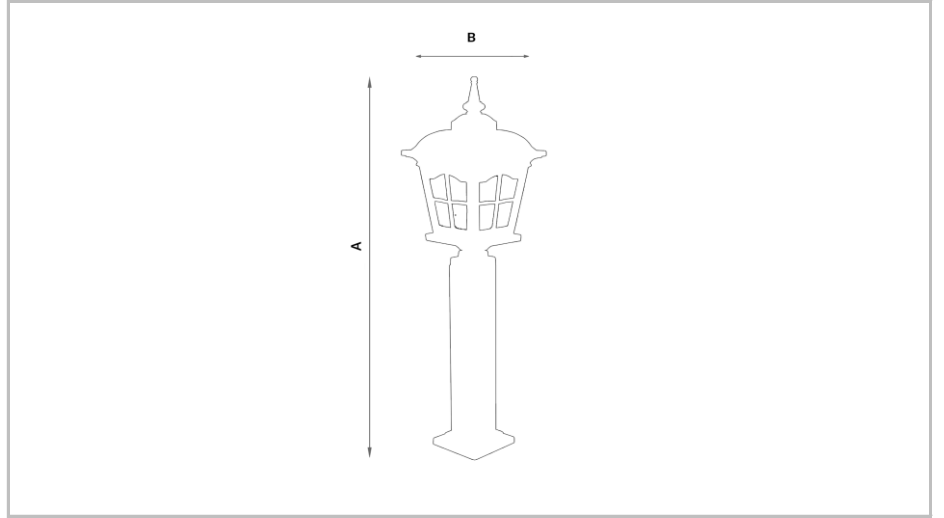


# Epsilon Bollard

Pathway Lighting

LIGHT 34

## Product Data Sheet



EN 60598 LED A+++ IK08 IP66 CE

### Product description

Cast aluminium  
Stainless steel screws  
Chromate coating  
Sandblasted glass diffuser  
Electrostatic polyester powder coating  
European Standards EN-60598  
Mechanical impact resistance IK08  
Protection Grade IP66  
Electrical installation Class I

### Lamp & Optics

Modo Module®  
Up to 140 lm/w  
3000k-4000k-6500k  
220-240v 50-60hz  
Beam angle: 90°, 150°  
Cri > 80  
Options : DALI controllable

### Application

	Power (W)	A	B
LGT.80.104.01	14 W	1000	240
LGT.80.104.02	E27	1000	240

We reserve the right to make technical changes without prior notice.

LIGHT34 AYDINLATMA SAN. TIC. LTD.  
Ikitelli OSB Mutsan Sanayi Sitesi M8 Blok No:8  
Basaksehir | Istanbul | Turkey | 34490

+90 212 485 55 11  
www.light34.com  
export@light34.com