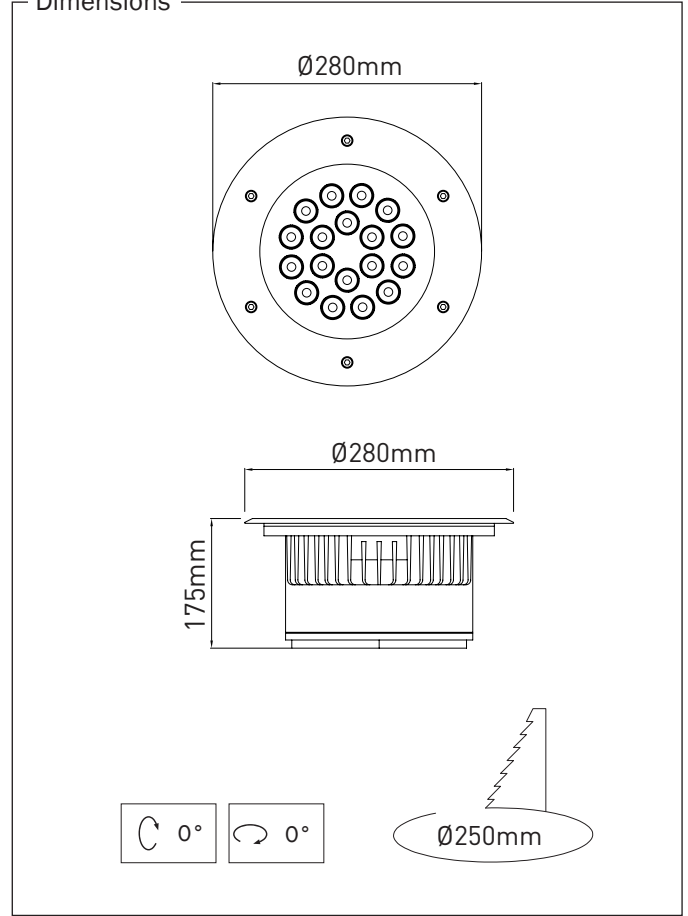


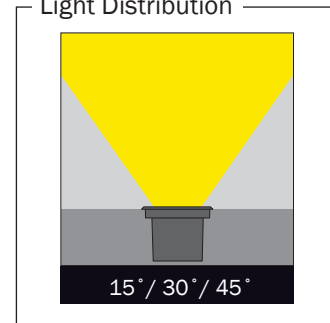


- Outdoor on floor luminaire with high protection class.
- Safe structures through the tempered pressure resistant glasses.
- Easy applicable luminaires through the inground recessed boxes.
- Max weight resistance : 3000 Kg.
- Led colour temperatures optionally 2700K, 3000K, 3500K, 4000K and 5000K.
- 316 grade Stainless steel frame.
- Symmetrical light distribution with 15°, 30° and 45° and asymmetric light distribution as well.

### Dimensions



### Light Distribution



### Nebula-X / LGT.120.100

Order Code /	Led Type	System Power	mA	No. of Leds	Lumen Tc=60°	Kelvin / Color
LGT.120.100.01	Power Led	22W	1050mA	18	2655	2700K
LGT.120.100.02	Power Led	22W	1050mA	18	2715	3000K
LGT.120.100.03	Power Led	22W	1050mA	18	2770	3500K
LGT.120.100.04	Power Led	22W	1050mA	18	2825	4000K
LGT.120.100.05	Power Led	22W	1050mA	18	2910	6000K
LGT.120.100.06	Power Led	17W	1050mA	18	1215	Red
LGT.120.100.07	Power Led	23W	1050mA	18	1890	Green
LGT.120.100.08	Power Led	22W	1050mA	18	785	Blue
LGT.120.100.09	Power Led	17W	1050mA	18	820	Amber