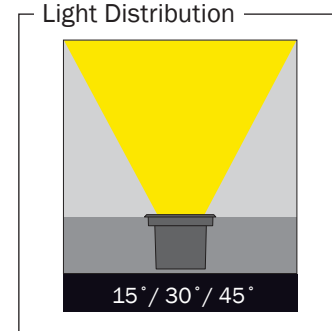
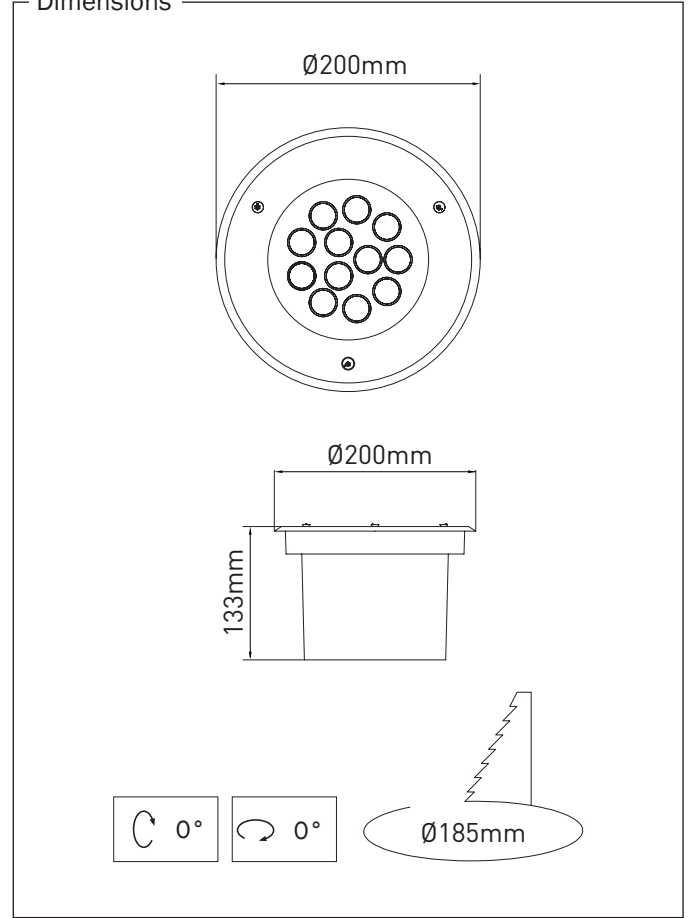




- Outdoor on floor luminaire with high protection class.
- Safe structures through the tempered pressure resistant glasses.
- Easy applicable luminaires through the inground recessed boxes.
- Max weight resistance : 3000 Kg.
- Led colour temperatures optionally 2700K, 3000K, 3500K, 4000K and 5000K.
- 316 grade Stainless steel frame.
- Symmetrical light distribution with 15°, 30° and 45° and asymmetric light distribution as well.

Dimensions



Nebula-L / LGT.120.100

Order Code /	Led Type	System Power	mA	No. of Leds	Lumen Tc=60°	Kelvin / Color
LGT.120.100.20	Power Led	13W	350mA	12	1574	2700K
LGT.120.100.21	Power Led	13W	350mA	12	1605	3000K
LGT.120.100.22	Power Led	13W	350mA	12	1639	3500K
LGT.120.100.23	Power Led	13W	350mA	12	1672	4000K
LGT.120.100.24	Power Led	13W	350mA	12	1722	6000K
LGT.120.100.25	Power Led	10W	350mA	12	719	Red
LGT.120.100.26	Power Led	14W	350mA	12	1071	Green
LGT.120.100.27	Power Led	13W	350mA	12	445	Blue
LGT.120.100.28	Power Led	10W	350mA	12	465	Amber