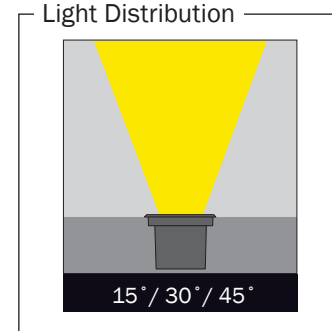
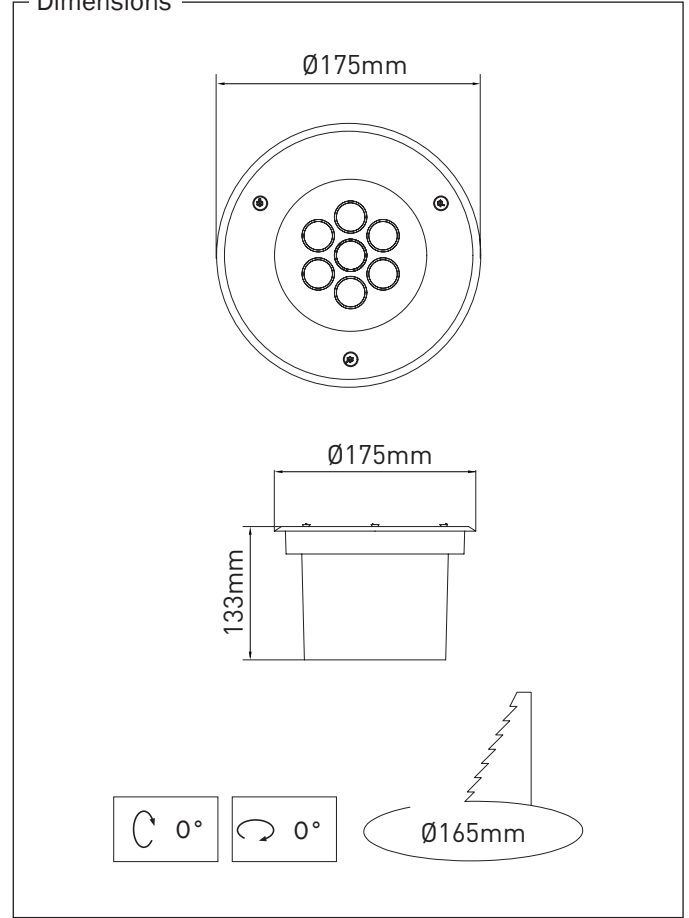




- Outdoor on floor luminaire with high protection class.
- Safe structures through the tempered pressure resistant glasses.
- Easy applicable luminaires through the inground recessed boxes.
- Max weight resistance : 3000 Kg.
- Led colour temperatures optionally 2700K, 3000K, 3500K, 4000K and 5000K.
- 316 grade Stainless steel frame.
- Symmetrical light distribution with 15°, 30° and 45° and asymmetric light distribution as well.

Dimensions



Nebula-M /LGT.120.100

| Order Code / | Led Type | System Power | mA | No. of Leds | Lumen Tc=60° | Kelvin / Color |
|----------------|-----------|--------------|-------|-------------|--------------|----------------|
| LGT.120.100.40 | Power Led | 9W | 350mA | 7 | 1084 | 2700K |
| LGT.120.100.41 | Power Led | 9W | 350mA | 7 | 1106 | 3000K |
| LGT.120.100.42 | Power Led | 9W | 350mA | 7 | 1129 | 3500K |
| LGT.120.100.43 | Power Led | 9W | 350mA | 7 | 1152 | 4000K |
| LGT.120.100.44 | Power Led | 9W | 350mA | 7 | 1185 | 6000K |
| LGT.120.100.45 | Power Led | 7W | 350mA | 7 | 494 | Red |
| LGT.120.100.46 | Power Led | 10W | 350mA | 7 | 767 | Green |
| LGT.120.100.47 | Power Led | 9W | 350mA | 7 | 319 | Blue |
| LGT.120.100.48 | Power Led | 7W | 350mA | 7 | 335 | Amber |