

Step

In-ground Luminaires Series



Step



Step-S

Recessed mounted mini uplighter. Connecting cable and safety plug for portable installation. The used Led technique offers durability and optimal light output with low power consumption. The main body of the luminaires are die-cast that absorbs the pressure loads. The luminaires can be driven over by vehicles. Front frame is 316 grade Stainless steel resistant against high corrosion factors of outdoor conditions. In order to be easily flush mounted on ground, plastic mounting outer body is being supplied with the luminaire.

- Die-Cast Aluminium body.
- 316 grade stainless steel frame.
- Installation with plastic outer housing.
- Mains voltage: 220-240V / 50-60Hz.
- Spot, medium and wide beam angles available.
- Max. Weight resistance : 2000KG
- Convenient to be used with power led.
- Led colour temperatures are optionally 2700K, 3000K, 3500K, 4000K and 6000K.
- Thermal shock resistant safety glass.
- Weatherproof and durable silicone rubber gasket.
- All external screws are stainless steel.
- High colour consistency: <3 SDCM
- Up to 155lm/W efficiency.



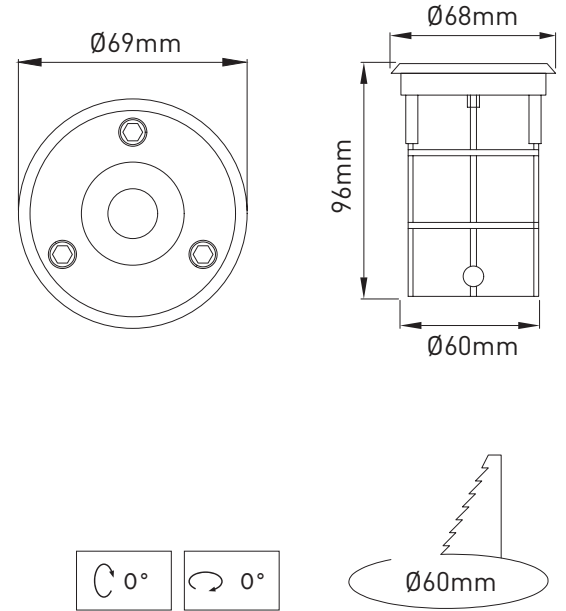
Light distribution



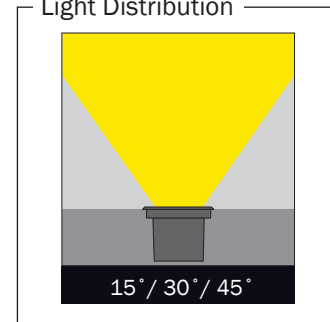


- Die-Cast Aluminium body.
- 316 grade stainless steel frame.
- Installation with plastic outer housing.
- Mains voltage: 220-240V / 50-60Hz.
- Spot, medium and wide beam angles available.
- Max. Weight resistance : 2000KG
- Convenient to be used with power led.
- Led colour temperatures are optionally 2700K, 3000K, 3500K, 4000K and 6000K.
- Thermal shock resistant safety glass.
- Weatherproof and durable silicone rubber gasket.
- All external screws are stainless steel.
- High colour consistency: <3 SDCM
- Up to 155lm/W efficiency.

Dimensions



Light Distribution

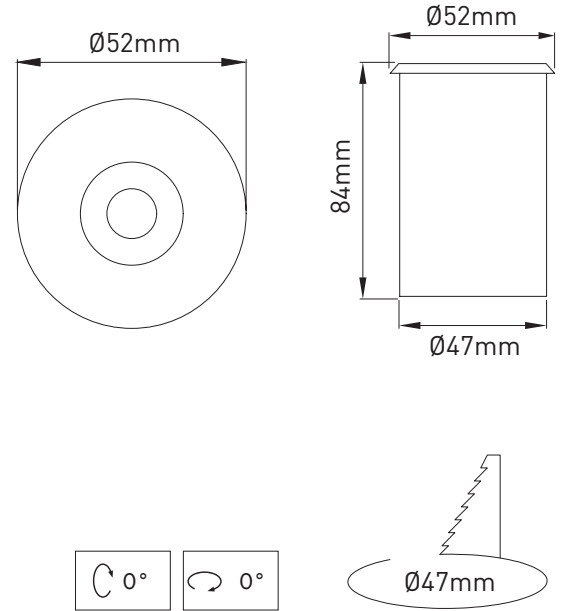
Step / [LGT.120.103](#)

Order Code	System Power	Kelvin / Color	Lumen Output	Dali Dimming Opt.	1-10V Dali Dimming Opt	Driving Current
LGT.120.103.01	1,5W	2700K	218	X	X	350mA
LGT.120.103.02	1,5W	3000K	223	X	X	350mA
LGT.120.103.03	1,5W	3500K	227	X	X	350mA
LGT.120.103.04	1,5W	4000K	232	X	X	350mA
LGT.120.103.05	1,5W	5000K	239	X	X	350mA

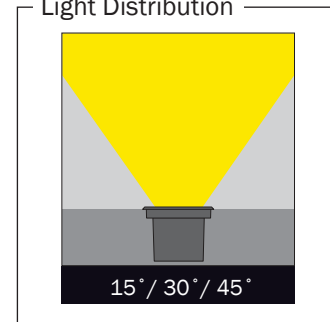


- Die-Cast Aluminium body.
- 316 grade stainless steel frame.
- Installation with plastic outer housing.
- Mains voltage: 220-240V / 50-60Hz.
- Spot, medium and wide beam angles available.
- Max. Weight resistance : 2000KG
- Convenient to be used with power led.
- Led colour temperatures are optionally 2700K, 3000K, 3500K, 4000K and 6000K.
- Thermal shock resistant safety glass.
- Weatherproof and durable silicone rubber gasket.
- All external screws are stainless steel.
- High colour consistency: <3 SDCM
- Up to 155lm/W efficiency.

Dimensions



Light Distribution



Step-S / [LGT.120.103](#)

Order Code	System Power	Kelvin / Color	Lumen Output	Dali Dimming Opt.	1-10V Dali Dimming Opt	Driving Current
LGT.120.103.10	1,5W	2700K	218	X	X	350mA
LGT.120.103.11	1,5W	3000K	223	X	X	350mA
LGT.120.103.12	1,5W	3500K	227	X	X	350mA
LGT.120.103.13	1,5W	4000K	232	X	X	350mA
LGT.120.103.14	1,5W	5000K	239	X	X	350mA