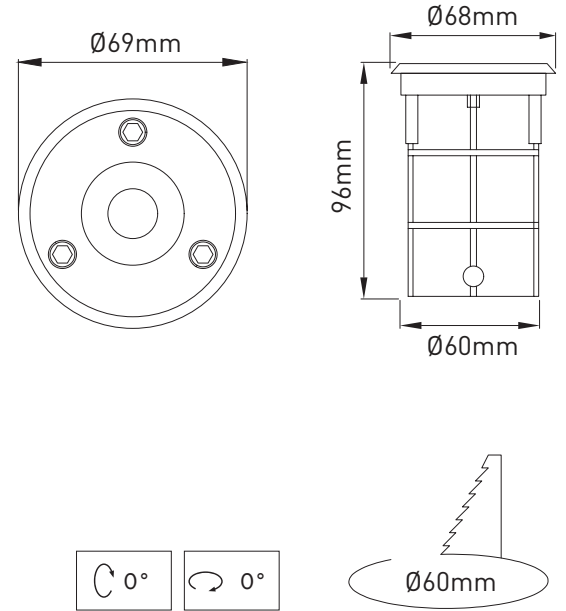


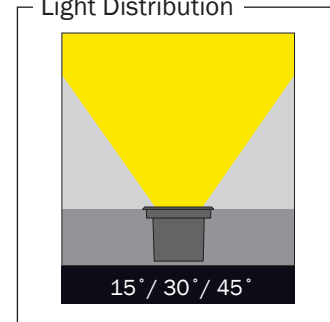


- Die-Cast Aluminium body.
- 316 grade stainless steel frame.
- Installation with plastic outer housing.
- Mains voltage: 220-240V / 50-60Hz.
- Spot, medium and wide beam angles available.
- Max. Weight resistance : 2000KG
- Convenient to be used with power led.
- Led colour temperatures are optionally 2700K, 3000K, 3500K, 4000K and 6000K.
- Thermal shock resistant safety glass.
- Weatherproof and durable silicone rubber gasket.
- All external screws are stainless steel.
- High colour consistency: <3 SDCM
- Up to 155lm/W efficiency.

## Dimensions



## Light Distribution

Step / [LGT.120.103](#)

Order Code	System Power	Kelvin / Color	Lumen Output	Dali Dimming Opt.	1-10V Dali Dimming Opt	Driving Current
LGT.120.103.01	1,5W	2700K	218	X	X	350mA
LGT.120.103.02	1,5W	3000K	223	X	X	350mA
LGT.120.103.03	1,5W	3500K	227	X	X	350mA
LGT.120.103.04	1,5W	4000K	232	X	X	350mA
LGT.120.103.05	1,5W	5000K	239	X	X	350mA