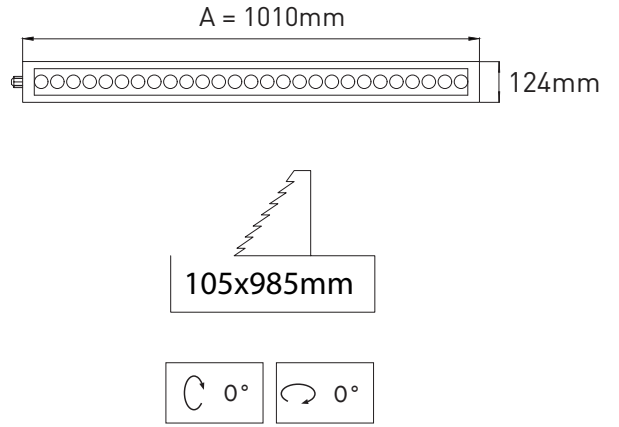


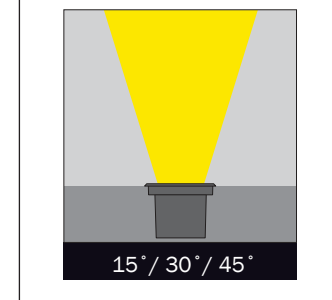


Dimensions



- Outdoor on floor luminaire with high protection class.
- Safe structures through the tempered pressure resistant glasses.
- Easy applicable luminaires through the inground recessed boxes.
- Max weight resistance : 2000 Kg.
- Led colour temperatures optionally 2700K, 3000K, 3500K, 4000K and 6000K.
- 316 grade Stainless steel frame.
- Symmetrical light distribution with 15°, 30° and 45°.
- Can be mounted on ground, pavement and wall surfaces.
- Consists of main body and outer casing.
- All external screws are Stainless steel.

Light Distribution



Asteroid-X / LGT.120.102

Order Code /	Led Type	System Power	mA	No. of Leds	Lumen Tc=60°	Kelvin / Color	Lenght / (A)
LGT.120.102.01	Power Led	33W	350mA	27	4086	2700K	1010 mm
LGT.120.102.02	Power Led	33W	350mA	27	4170	3000K	1010 mm
LGT.120.102.03	Power Led	33W	350mA	27	4254	3500K	1010 mm
LGT.120.102.04	Power Led	33W	350mA	27	4342	4000K	1010 mm
LGT.120.102.05	Power Led	33W	350mA	27	4470	6000K	1010 mm
LGT.120.102.06	Power Led	24W	350mA	27	1911	Red	1010 mm
LGT.120.102.07	Power Led	34W	350mA	27	2952	Green	1010 mm
LGT.120.102.08	Power Led	33W	350mA	27	1260	Blue	1010 mm
LGT.120.102.09	Power Led	24W	350mA	27	1389	Amber	1010 mm