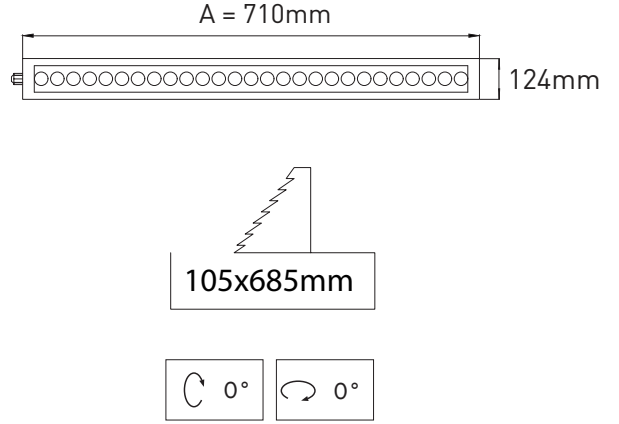


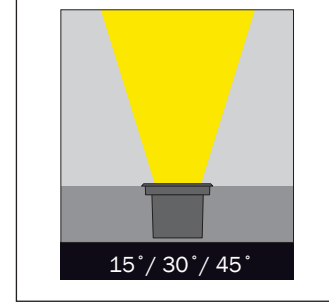


Dimensions



- Outdoor on floor luminaire with high protection class.
- Safe structures through the tempered pressure resistant glasses.
- Easy applicable luminaires through the inground recessed boxes.
- Max weight resistance : 2000 Kg.
- Led colour temperatures optionally 2700K, 3000K, 3500K, 4000K and 6000K.
- 316 grade Stainless steel frame.
- Symmetrical light distribution with 15°, 30° and 45°.
- Can be mounted on ground, pavement and wall surfaces.
- Consists of main body and outer casing.
- All external screws are Stainless steel.

Light Distribution



### Asteroid-L / [LGT.120.102](#)

Order Code /	Led Type	System Power	mA	No. of Leds	Lumen Tc=60°	Kelvin / Color	Lenght/(A)
LGT.120.102.10	Power Led	22W	350mA	18	2724	2700K	710 mm
LGT.120.102.11	Power Led	22W	350mA	18	2780	3000K	710 mm
LGT.120.102.12	Power Led	22W	350mA	18	2836	3500K	710 mm
LGT.120.102.13	Power Led	22W	350mA	18	2895	4000K	710 mm
LGT.120.102.14	Power Led	22W	350mA	18	2980	6000K	710 mm
LGT.120.102.15	Power Led	16W	350mA	18	1274	Red	710 mm
LGT.120.102.16	Power Led	23W	350mA	18	1968	Green	710 mm
LGT.120.102.17	Power Led	22W	350mA	18	840	Blue	710 mm
LGT.120.102.18	Power Led	16W	350mA	18	926	Amber	710 mm