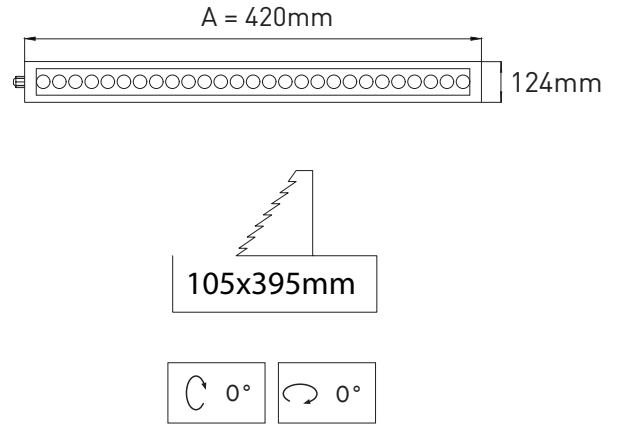


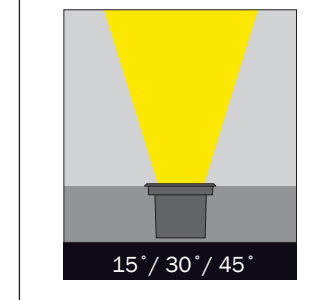


Dimensions



- Outdoor on floor luminaire with high protection class.
- Safe structures through the tempered pressure resistant glasses.
- Easy applicable luminaires through the inground recessed boxes.
- Max weight resistance : 2000 Kg.
- Led colour temperatures optionally 2700K, 3000K, 3500K, 4000K and 6000K.
- 316 grade Stainless steel frame.
- Symmetrical light distribution with 15°, 30° and 45°.
- Can be mounted on ground, pavement and wall surfaces.
- Consists of main body and outer casing.
- All external screws are Stainless steel.

Light Distribution



### Asteroid-M /LGT.120.102

Order Code /	Led Type	System Power	mA	No. of Leds	Lumen Tc=60°	Kelvin / Color	Lenght/(A)
LGT.120.102.20	Power Led	11W	350mA	9	1362	2700K	420 mm
LGT.120.102.21	Power Led	11W	350mA	9	1390	3000K	420 mm
LGT.120.102.22	Power Led	11W	350mA	9	1418	3500K	420 mm
LGT.120.102.23	Power Led	11W	350mA	9	1447	4000K	420 mm
LGT.120.102.24	Power Led	11W	350mA	9	1490	6000K	420 mm
LGT.120.102.25	Power Led	8W	350mA	9	637	Red	420 mm
LGT.120.102.26	Power Led	11W	350mA	9	984	Green	420 mm
LGT.120.102.27	Power Led	11W	350mA	9	420	Blue	420 mm
LGT.120.102.28	Power Led	8W	350mA	9	463	Amber	420 mm