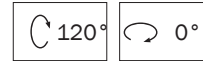
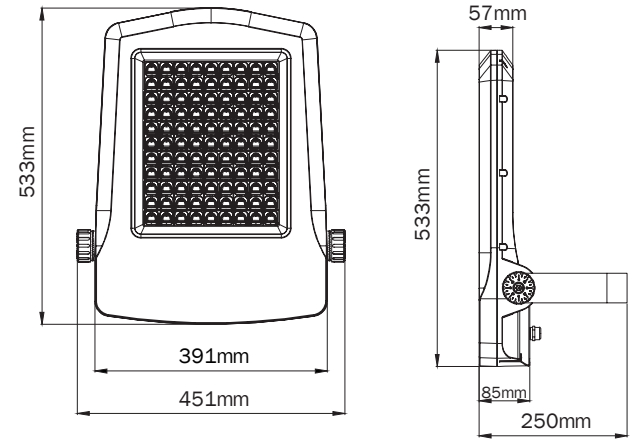


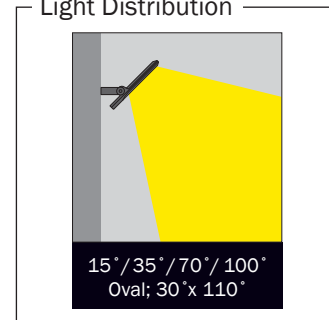


- Direct lighting luminaire for use with LEDs.
- Corrosion resistant die-cast aluminium body.
- Installation with bracket on floor, walls and ceiling surfaces.
- Mains voltage: 220-240V / 50-60Hz.
- Clever thermal design with internal cooling pins.
- Spot, medium, wide, wide flood and oval beam angles available.
- Led colour temperatures are optionally 2700K, 3000K, 3500K, 4000K and 6000K.
- Suitable for illumination up to 20 meter height.
- Optionally 2 cable entries for through-wiring of mains supply cable.
- Internal silicon gaskets ensure IP protection.
- All external screws are stainless steel.
- Double layer polyester powder paint resistant to corrosion and salt spray fog.
- Up to 149lm/W efficiency.
- High colour consistency: <3 SDCM
- Tunable White and RGBW options available.
- Stainless steel cable gland and mains cable provided with IP68 socket.
- Mechanical aiming lock.

### Dimensions



### Light Distribution



### Mercury-X / LGT.110.108

Code	LGT.110.108.01	LGT.110.108.02
System Power	150W	200W
Lumen Output from Fixture CRI>80	2700K	21110
	3000K	21540
	3500K	21980
	4000K	22426
	6000K	23100
Driving Current	965mA	1300mA
Dali Dimming Option	✓	✓
1-10V Dimming Option	✓	✓

Code	LGT.110.108.03
Light Color Source	2700K-6000K Tunable White
LED Quantity	99
Beam Angle	15°/35°/70°/100° / Oval; 30°x110°
Digital Interface	Standard DMX protocol
Wireless Control	CASAMBI

Code	LGT.110.108.04
Light Color Source	RGBW 4 in 1 Power Led
LED Quantity	36
Beam Angle	15°/35°/70°/100° / Oval; 30°x110°
Digital Interface	Standard DMX protocol