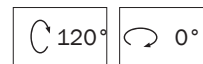
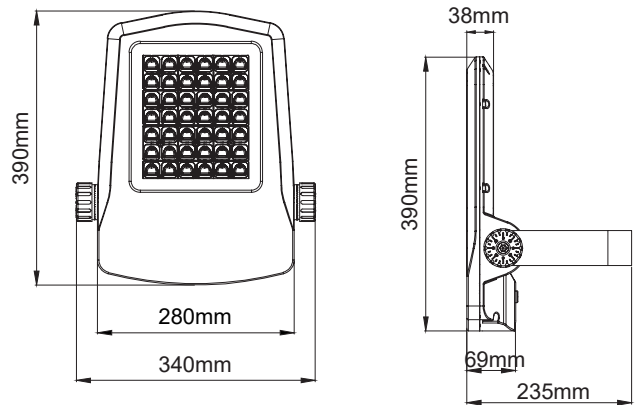


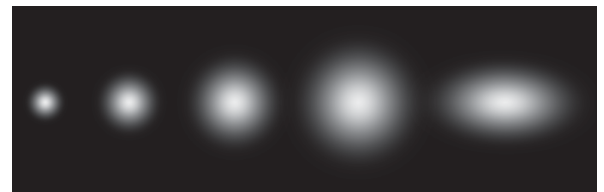
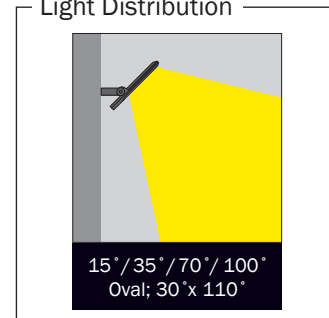


- Direct lighting luminaire for use with LEDs.
- Corrosion resistant die-cast aluminium body.
- Installation with bracket on floor, walls and ceiling surfaces.
- Mains voltage: 220-240V / 50-60Hz.
- Clever thermal design with internal cooling pins.
- Spot, medium, wide, wide flood and oval beam angles available.
- Led colour temperatures are optionally 2700K, 3000K, 3500K, 4000K and 6000K.
- Suitable for illumination up to 12 meter height.
- Optionally 2 cable entries for through-wiring of mains supply cable.
- Internal silicon gaskets ensure IP protection.
- All external screws are stainless steel.
- Double layer polyester powder paint resistant to corrosion and salt spray fog.
- Up to 144lm/W efficiency.
- High colour consistency: <3 SDCM
- Tunable White and RGBW options available.
- Stainless steel cable gland and mains cable provided with IP68 socket.
- Mechanical aiming lock.

Dimensions



Light Distribution



Falcon Midi PR / LGT.110.106

Code	LGT.110.106.01	LGT.110.106.02
System Power	50W	75W
Lumen Output from Fixture CRI>80	2700K	7005
	3000K	7145
	3500K	7295
	4000K	7442
	6000K	7665
Driving Current	375mA	575mA
Dali Dimming Option	✓	✓
1-10V Dimming Option	✓	✓

Code /	LGT.110.106.03
Light Color Source /	2700K-6000K Tunable White
LED Quantity /	42
Beam Angle /	15°/35°/70°/100° / Oval; 30°x110°
Digital Interface /	Standard DMX protocol
Wireless Control /	CASAMBI

Code /	LGT.110.106.04
Light Color Source /	RGBW 4 in 1 Power Led
LED Quantity /	16
Beam Angle /	15°/35°/70°/100° / Oval; 30°x110°
Digital Interface /	Standard DMX protocol