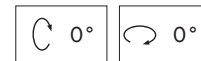
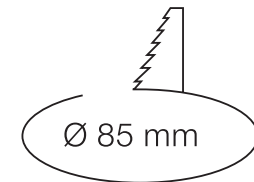
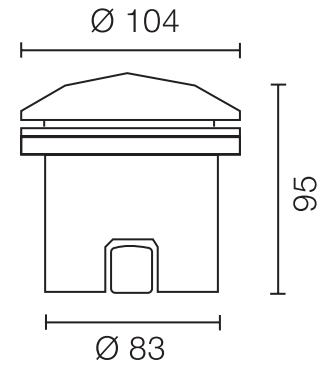


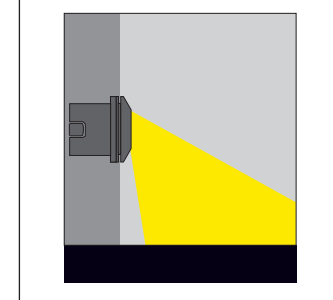


- Round luminaire for outdoor installation on wall.
- Installation: Luminaire is supplied with plastic outer installation box for easy mounting.
- The body is protected by a special antioxidizing treatment for a higher resistance against aggressive agents. Salt spray test being applied to ensure stability of finishing.
- The heat generated by the light source is dissipated by means of a passive cooling system.
- The luminaire is equipped with a piece of cable for mains to provide easy-to-make connection.
- Corrosion resistant die cast aluminium alloy.
- Weatherproof and durable silicone rubber gasket.
- Ultraviolet stabilized polyester powder coat in black, dark gray, light gray and white finish.
- Convenient to be used with SMD led.
- Double layer polyester powder paint resistant to corrosion and salt spray fog.
- High colour consistency: <3 SDCM

### Dimensions



### Light Distribution



### Nova C / [LGT.40.104](#)

Code	<a href="#">LGT.40.104.03</a>	
System Power	4W	
Lumen Output from Fixture CRI>80	2700K	497
	3000K	507
	3500K	517
	4000K	528
	6000K	539