

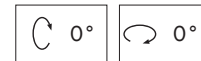
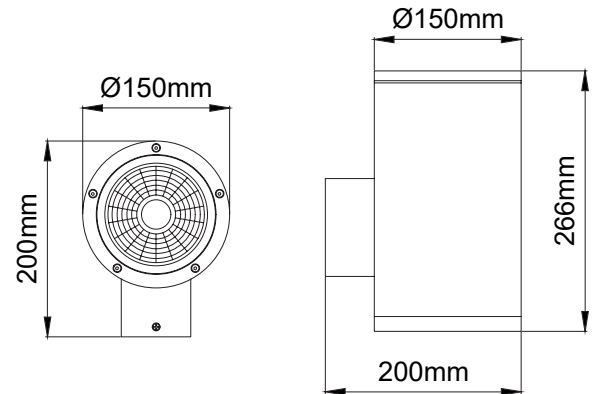


- Corrosion resistant die cast aluminium alloy.
- Installation with bracket on walls.
- Mains voltage: 220-240V / 50-60Hz.
- Spot, medium, medium flood, wide and wide flood beam angles available.
- Convenient to be used with COB led.
- Led colour temperatures are optionally 2700K, 3000K, 3500K, 4000K and 5000K.
- Thermal shock resistant safety glass.
- Weatherproof and durable silicone rubber gasket.
- Ultraviolet stabilized polyester powder coat finish in white, black, dark gray and light gray finish.
- Luminaire can be installed in any burning position.
- Double layer polyester powder paint resistant to corrosion and salt spray fog.
- All external screws are stainless steel.
- High colour consistency: <3 SDCM
- Up to 139lm/W efficiency.

Venus-L / [LGT.40.102](#)

|                                     |                               |      |
|-------------------------------------|-------------------------------|------|
| Code                                | <a href="#">LGT.40.102.01</a> |      |
| System Power                        | 40W                           |      |
| Lumen Output from Fixture<br>CRI>80 | 2700K                         | 5230 |
|                                     | 3000K                         | 5335 |
|                                     | 3500K                         | 5445 |
|                                     | 4000K                         | 5556 |
|                                     | 5000K                         | 5720 |
| Driving Current                     | 1050mA                        |      |
| Dali Dimming Option                 | ✓                             |      |
| 1-10V Dimming Option                | ✓                             |      |

### Dimensions



### Light Distribution

