

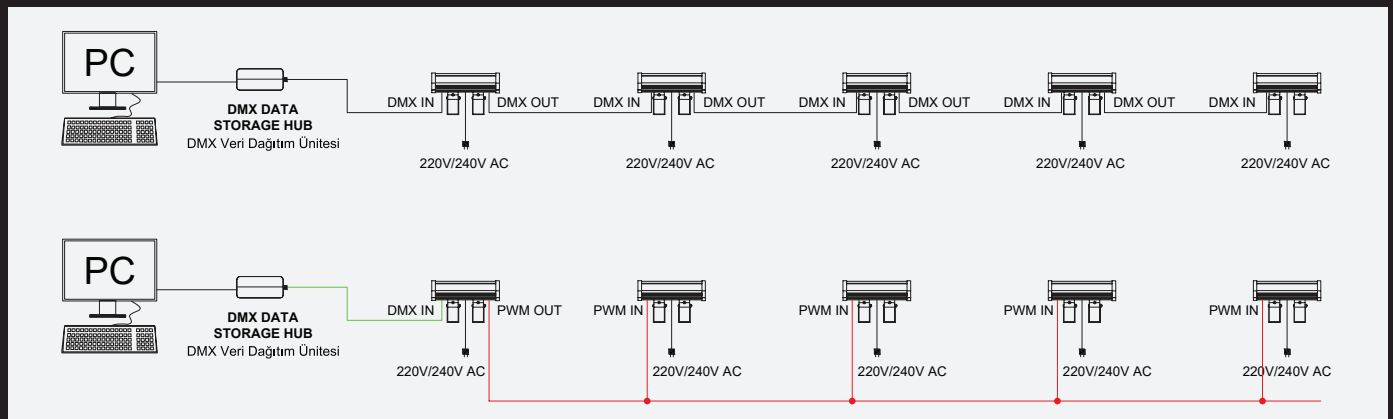


Halley



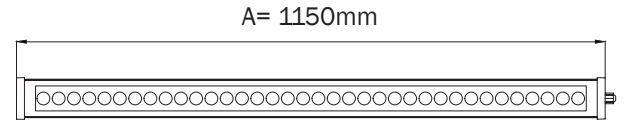
Halley RGB

Thanks to its minimal and elegant design, Halley LED wallwasher is an ideal luminaire to light up facades. It incorporates both 9, 18, 27 and 36pcs power LED according to the project requirements. The fixture generates highquality white color ranging from 2700K to 6000K as well as red, green, blue, amber and RGBW light output with different beam angle options that creates architectural illumination. Rainbow wallwasher has IP66 protection rating that can be used safely in outdoor applications. Aluminium extrude body and internal heatsink ensures optimal working conditions for LEDs that will increase the lifetime significantly.

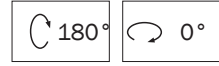




Dimensions

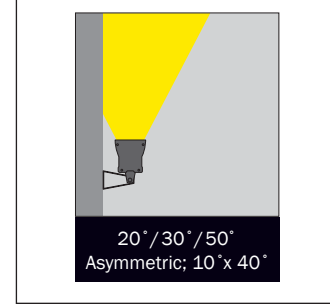


kg
4.8



- Direct lighting luminaire for use with LEDs.
- Corrosion resistant aluminium profile body and die-cast aluminium end caps.
- Installation with bracket on floor, walls and ceiling surfaces.
- Mains voltage: 220-240V / 50-60Hz.
- Narrow, medium, wide and asymmetric beam angles available.
- Led colour temperatures are optionally 2700K, 3000K, 3500K, 4000K and 6000K.
- Colour Led options green, red, blue and amber available.
- Suitable for illumination up to 20-meter height.
- Optionally 2 cable entries for through-wiring of mains supply cable.
- Internal silicon gaskets ensure IP protection.
- All external screws are stainless steel.
- Double layer polyester powder paint resistant to corrosion and salt spray fog.

Light Distribution



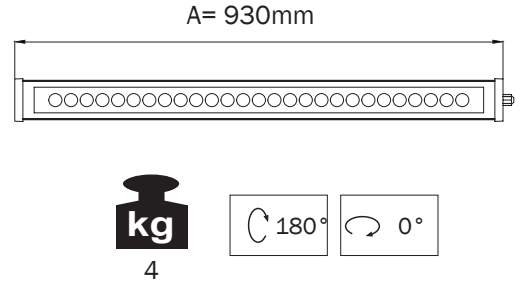
- Up to 131lm/W efficiency.
- High colour consistency: <3 SDCM
- RGB and RGBW options available.
- Stainless steel cable gland and mains cable provided with IP68 socket.
- Mechanical aiming lock.
- Flexible adjusting mechanism enables fitting move 180° in one axis.

Halley-X / LGT.130.100

Order Code	Led Type	System Power	mA	No. of Leds /	Lumen Tc=60°	Kelvin	Lenght (A)
LGT.130.100.01	Power Led	44W	350mA	36	5448	2700K	1150mm
LGT.130.100.02	Power Led	44W	350mA	36	5560	3000K	1150mm
LGT.130.100.03	Power Led	44W	350mA	36	5672	3500K	1150mm
LGT.130.100.04	Power Led	44W	350mA	36	5790	4000K	1150mm
LGT.130.100.05	Power Led	44W	350mA	36	5960	6000K	1150mm
LGT.130.100.06	Power Led	32W	350mA	36	2548	Red / Kırmızı	1150mm
LGT.130.100.07	Power Led	46W	350mA	36	3936	Green / Yeşil	1150mm
LGT.130.100.08	Power Led	45W	350mA	36	1680	Blue / Mavi	1150mm
LGT.130.100.09	Power Led	32W	350mA	36	1852	Amber	1150mm

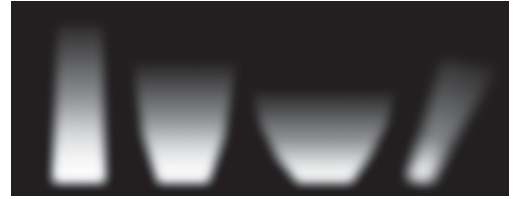
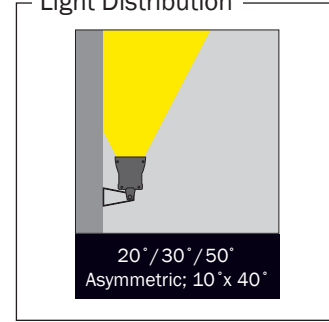


Dimensions



- Direct lighting luminaire for use with LEDs.
- Corrosion resistant aluminium profile body and die-cast aluminium end caps.
- Installation with bracket on floor, walls and ceiling surfaces.
- Mains voltage: 220-240V / 50-60Hz.
- Narrow, medium, wide and asymmetric beam angles available.
- Led colour temperatures are optionally 2700K, 3000K, 3500K, 4000K and 6000K.
- Colour Led options green, red, blue and amber available.
- Suitable for illumination up to 20-meter height.
- Optionally 2 cable entries for through-wiring of mains supply cable.
- Internal silicon gaskets ensure IP protection.
- All external screws are stainless steel.
- Double layer polyester powder paint resistant to corrosion and salt spray fog.

Light Distribution



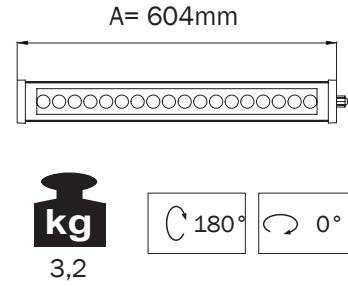
- Up to 131lm/W efficiency.
- High colour consistency: <3 SDCM
- RGB and RGBW options available.
- Stainless steel cable gland and mains cable provided with IP68 socket.
- Mechanical aiming lock.
- Flexible adjusting mechanism enables fitting move 180° in one axis.

Halley-L / LGT.130.100

Order Code	Led Type	System Power	mA	No. of Leds /	Lumen Tc=60°	Kelvin	Lenght (A)
LGT.130.100.10	Power Led	33W	350mA	27	4086	2700K	930mm
LGT.130.100.11	Power Led	33W	350mA	27	4170	3000K	930mm
LGT.130.100.12	Power Led	33W	350mA	27	4254	3500K	930mm
LGT.130.100.13	Power Led	33W	350mA	27	4342	4000K	930mm
LGT.130.100.14	Power Led	33W	350mA	27	4470	6000K	930mm
LGT.130.100.15	Power Led	33W	350mA	27	1911	Red / Kırmızı	930mm
LGT.130.100.16	Power Led	33W	350mA	27	2952	Green / Yeşil	930mm
LGT.130.100.17	Power Led	33W	350mA	27	1260	Blue / Mavi	930mm
LGT.130.100.18	Power Led	33W	350mA	27	1389	Amber	930mm

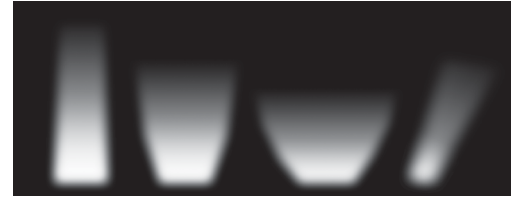
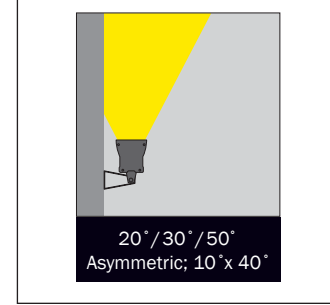


Dimensions



- Direct lighting luminaire for use with LEDs.
- Corrosion resistant aluminium profile body and die-cast aluminium end caps.
- Installation with bracket on floor, walls and ceiling surfaces.
- Mains voltage: 220-240V / 50-60Hz.
- Narrow, medium, wide and asymmetric beam angles available.
- Led colour temperatures are optionally 2700K, 3000K, 3500K, 4000K and 6000K.
- Colour Led options green, red, blue and amber available.
- Suitable for illumination up to 20-meter height.
- Optionally 2 cable entries for through-wiring of mains supply cable.
- Internal silicon gaskets ensure IP protection.
- All external screws are stainless steel.
- Double layer polyester powder paint resistant to corrosion and salt spray fog.

Light Distribution



- Up to 131lm/W efficiency.
- High colour consistency: <3 SDCM
- RGB and RGBW options available.
- Stainless steel cable gland and mains cable provided with IP68 socket.
- Mechanical aiming lock.
- Flexible adjusting mechanism enables fitting move 180° in one axis.

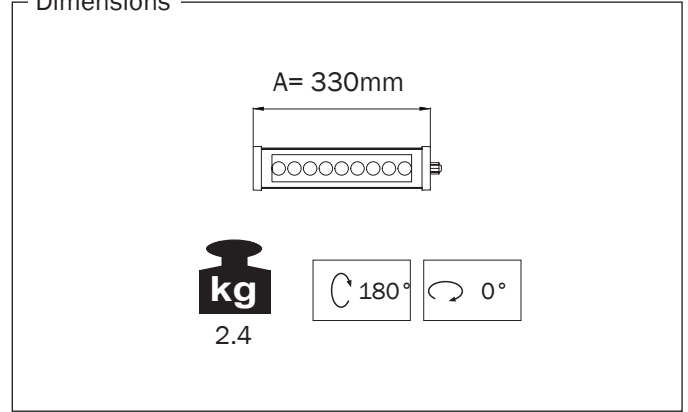
Halley-M /LGT.130.100

Order Code	Led Type	System Power	mA	No. of Leds /	Lumen Tc=60°	Kelvin	Lenght (A)
LGT.130.100.20	Power Led	22W	350mA	18	2724	2700K	604mm
LGT.130.100.21	Power Led	22W	350mA	18	2780	3000K	604mm
LGT.130.100.22	Power Led	22W	350mA	18	2836	3500K	604mm
LGT.130.100.23	Power Led	22W	350mA	18	2895	4000K	604mm
LGT.130.100.24	Power Led	22W	350mA	18	2980	6000K	604mm
LGT.130.100.25	Power Led	22W	350mA	18	1274	Red / Kırmızı	604mm
LGT.130.100.26	Power Led	22W	350mA	18	1968	Green / Yeşil	604mm
LGT.130.100.27	Power Led	22W	350mA	18	840	Blue / Mavi	604mm
LGT.130.100.28	Power Led	22W	350mA	18	926	Amber	604mm

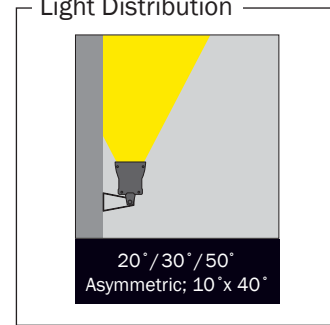


- Direct lighting luminaire for use with LEDs.
- Corrosion resistant aluminium profile body and die-cast aluminium end caps.
- Installation with bracket on floor, walls and ceiling surfaces.
- Mains voltage: 220-240V / 50-60Hz.
- Narrow, medium, wide and asymmetric beam angles available.
- Led colour temperatures are optionally 2700K, 3000K, 3500K, 4000K and 6000K.
- Colour Led options green, red, blue and amber available.
- Suitable for illumination up to 20-meter height.
- Optionally 2 cable entries for through-wiring of mains supply cable.
- Internal silicon gaskets ensure IP protection.
- All external screws are stainless steel.
- Double layer polyester powder paint resistant to corrosion and salt spray fog.

Dimensions



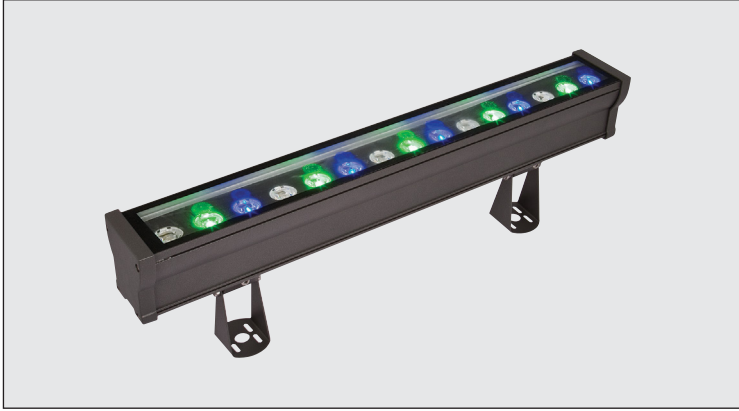
Light Distribution



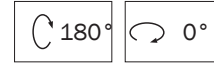
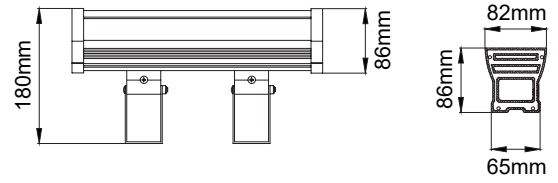
- Up to 131lm/W efficiency.
- High colour consistency: <3 SDCM
- RGB and RGBW options available.
- Stainless steel cable gland and mains cable provided with IP68 socket.
- Mechanical aiming lock.
- Flexible adjusting mechanism enables fitting move 180° in one axis.

Halley-S / LGT.130.100

Order Code	Led Type	System Power	mA	No. of Leds /	Lumen Tc=60°	Kelvin	Lenght (A)
LGT.130.100.30	Power Led	11W	350mA	9	1362	2700K	330mm
LGT.130.100.31	Power Led	11W	350mA	9	1390	3000K	330mm
LGT.130.100.32	Power Led	11W	350mA	9	1418	3500K	330mm
LGT.130.100.33	Power Led	11W	350mA	9	1447	4000K	330mm
LGT.130.100.34	Power Led	11W	350mA	9	1490	6000K	330mm
LGT.130.100.35	Power Led	8W	350mA	9	637	Red / Kırmızı	330mm
LGT.130.100.36	Power Led	11W	350mA	9	984	Green / Yeşil	330mm
LGT.130.100.37	Power Led	11W	350mA	9	420	Blue / Mavi	330mm
LGT.130.100.38	Power Led	8W	350mA	9	463	Amber	330mm

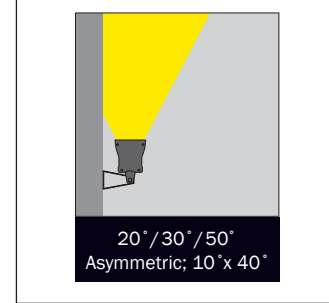


Dimensions



- Direct lighting luminaire for use with LEDs.
- Corrosion resistant aluminium profile body and die-cast aluminium end caps.
- Installation with bracket on floor, walls and ceiling surfaces.
- Mains voltage: 220-240V / 50-60Hz.
- Narrow, medium, wide and asymmetric beam angles available.
- Led colour temperatures are optionally 2700K, 3000K, 3500K, 4000K and 6000K.
- Colour Led options green, red, blue and amber available.
- Suitable for illumination up to 20-meter height.
- Optionally 2 cable entries for through-wiring of mains supply cable.
- Internal silicon gaskets ensure IP protection.
- All external screws are stainless steel.
- Double layer polyester powder paint resistant to corrosion and salt spray fog.

Light Distribution



- Up to 131lm/W efficiency.
- High colour consistency: <3 SDCM
- RGB and RGBW options available.
- Stainless steel cable gland and mains cable provided with IP68 socket.
- Mechanical aiming lock.
- Flexible adjusting mechanism enables fitting move 180° in one axis.

Halley-RGB / LGT.130.100

Order Code /	Led Type	No. of Leds	Kelvin	Lenght (A)
LGT.130.100.40	Power Led	9	RGB (R3,G3,B3)	330mm
LGT.130.100.41	Power Led	18	RGB (R6,G6,B6)	604mm
LGT.130.100.42	Power Led	27	RGB (R9,G9,B9)	930mm
LGT.130.100.43	Power Led	36	RGB (R12,G12,B12)	1150mm