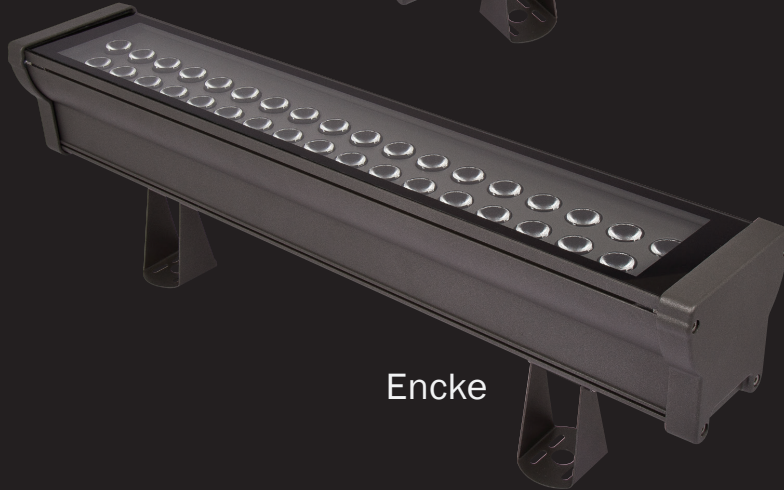
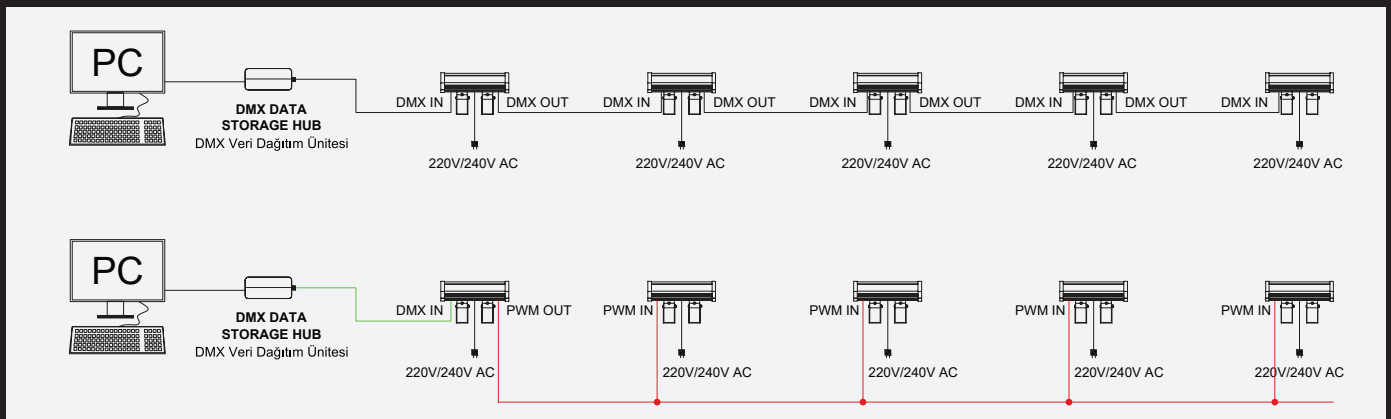


Encke-RGB



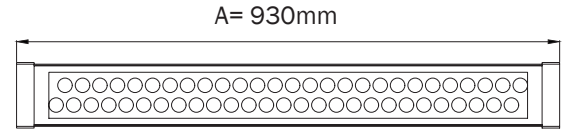
Encke

Thanks to its elegant functional design, Encke LED wallwasher is an ideal luminaire to light up facades. It incorporates both 18, 36 and 54 pcs power LED according to the project requirements. The fixture generates high-quality white color ranging from 2700K to 6000K as well as red, green, blue, amber and RGBW light output with different beam angle options that creates architectural illumination. Magiclight wallwasher has IP66 protection rating that can be used safely in outdoor applications. Aluminium extrude body and internal heatsink ensures optimal working conditions for LEDs that will increase the lifetime significantly.

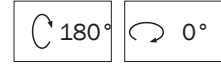




Dimensions

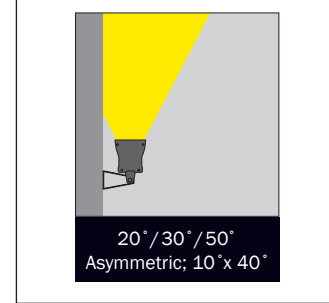


kg
6,6



- Direct lighting luminaire for use with LEDs.
- Corrosion resistant aluminium profile body and die-cast aluminium end caps.
- Installation with bracket on floor, walls and ceiling surfaces.
- Mains voltage: 220-240V / 50-60Hz.
- Narrow, medium, wide and asymmetric beam angles available.
- Led colour temperatures are optionally 2700K, 3000K, 3500K, 4000K and 6000K.
- Colour Led options green, red, blue and amber available.
- Suitable for illumination up to 35-meter height.
- Optionally 2 cable entries for through-wiring of mains supply cable.
- Internal silicon gaskets ensure IP protection.
- All external screws are stainless steel.
- Double layer polyester powder paint resistant to corrosion and salt spray fog.

Light Distribution



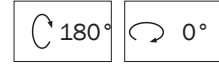
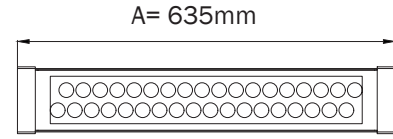
- Up to 133lm/W efficiency.
- High colour consistency: <3 SDCM
- RGB and RGBW options available.
- Stainless steel cable gland and mains cable provided with IP68 socket.
- Mechanical aiming lock.
- Flexible adjusting mechanism enables fitting move

Encke-X / LGT.130.101

| Order Code | Led Type | System Power | mA | No. of Leds / | Lumen Tc=60° | Kelvin | Lenght (A) |
|----------------|-----------|--------------|-------|---------------|--------------|---------------|------------|
| LGT.130.101.01 | Power Led | 63W | 350mA | 54 | 7875 | 2700K | 930mm |
| LGT.130.101.02 | Power Led | 63W | 350mA | 54 | 8040 | 3000K | 930mm |
| LGT.130.101.03 | Power Led | 63W | 350mA | 54 | 8202 | 3500K | 930mm |
| LGT.130.101.04 | Power Led | 63W | 350mA | 54 | 8370 | 4000K | 930mm |
| LGT.130.101.05 | Power Led | 63W | 350mA | 54 | 8625 | 6000K | 930mm |
| LGT.130.101.06 | Power Led | 63W | 350mA | 54 | 3675 | Red / Kırmızı | 930mm |
| LGT.130.101.07 | Power Led | 63W | 350mA | 54 | 5700 | Green / Yeşil | 930mm |
| LGT.130.101.08 | Power Led | 63W | 350mA | 54 | 2430 | Blue / Mavi | 930mm |
| LGT.130.101.09 | Power Led | 63W | 350mA | 54 | 2595 | Amber | 930mm |

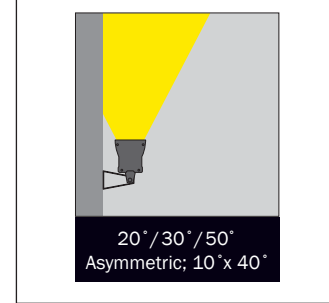


Dimensions



- Direct lighting luminaire for use with LEDs.
- Corrosion resistant aluminium profile body and die-cast aluminium end caps.
- Installation with bracket on floor, walls and ceiling surfaces.
- Mains voltage: 220-240V / 50-60Hz.
- Narrow, medium, wide and asymmetric beam angles available.
- Led colour temperatures are optionally 2700K, 3000K, 3500K, 4000K and 6000K.
- Colour Led options green, red, blue and amber available.
- Suitable for illumination up to 35-meter height.
- Optionally 2 cable entries for through-wiring of mains supply cable.
- Internal silicon gaskets ensure IP protection.
- All external screws are stainless steel.
- Double layer polyester powder paint resistant to corrosion and salt spray fog.

Light Distribution



- Up to 133lm/W efficiency.
- High colour consistency: <3 SDCM
- RGB and RGBW options available.
- Stainless steel cable gland and mains cable provided with IP68 socket.
- Mechanical aiming lock.
- Flexible adjusting mechanism enables fitting move

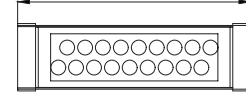
Encke-L / [LGT.130.101](#)

| Order Code | Led Type | System Power | mA | No. of Leds / | Lumen Tc=60° | Kelvin | Lenght (A) |
|----------------|-----------|--------------|-------|---------------|--------------|---------------|------------|
| LGT.130.101.10 | Power Led | 42W | 350mA | 36 | 5250 | 2700K | 635mm |
| LGT.130.101.11 | Power Led | 42W | 350mA | 36 | 5360 | 3000K | 635mm |
| LGT.130.101.12 | Power Led | 42W | 350mA | 36 | 4748 | 3500K | 635mm |
| LGT.130.101.13 | Power Led | 42W | 350mA | 36 | 5580 | 4000K | 635mm |
| LGT.130.101.14 | Power Led | 42W | 350mA | 36 | 5750 | 6000K | 635mm |
| LGT.130.101.15 | Power Led | 42W | 350mA | 36 | 2450 | Red / Kırmızı | 635mm |
| LGT.130.101.16 | Power Led | 42W | 350mA | 36 | 3800 | Green / Yeşil | 635mm |
| LGT.130.101.17 | Power Led | 42W | 350mA | 36 | 1620 | Blue / Mavi | 635mm |
| LGT.130.101.18 | Power Led | 42W | 350mA | 36 | 1730 | Amber | 635mm |

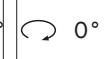
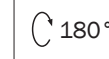


Dimensions

A= 390mm

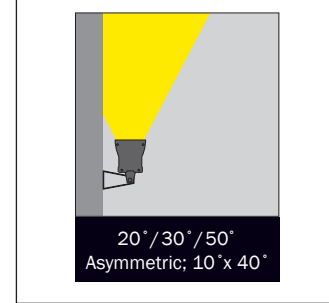


4



- Direct lighting luminaire for use with LEDs.
- Corrosion resistant aluminium profile body and die-cast aluminium end caps.
- Installation with bracket on floor, walls and ceiling surfaces.
- Mains voltage: 220-240V / 50-60Hz.
- Narrow, medium, wide and asymmetric beam angles available.
- Led colour temperatures are optionally 2700K, 3000K, 3500K, 4000K and 6000K.
- Colour Led options green, red, blue and amber available.
- Suitable for illumination up to 35-meter height.
- Optionally 2 cable entries for through-wiring of mains supply cable.
- Internal silicon gaskets ensure IP protection.
- All external screws are stainless steel.
- Double layer polyester powder paint resistant to corrosion and salt spray fog.

Light Distribution



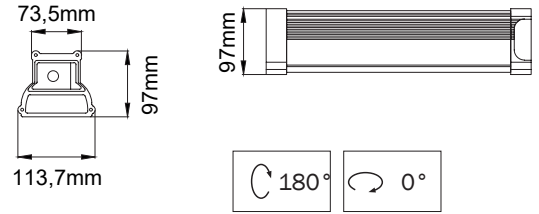
- Up to 133lm/W efficiency.
- High colour consistency: <3 SDCM
- RGB and RGBW options available.
- Stainless steel cable gland and mains cable provided with IP68 socket.
- Mechanical aiming lock.
- Flexible adjusting mechanism enables fitting move

Encke-M /LGT.130.101

| Order Code | Led Type | System Power | mA | No. of Leds / | Lumen Tc=60° | Kelvin | Lenght (A) |
|----------------|-----------|--------------|-------|---------------|--------------|---------------|------------|
| LGT.130.101.20 | Power Led | 21W | 350mA | 18 | 2625 | 2700K | 390mm |
| LGT.130.101.21 | Power Led | 21W | 350mA | 18 | 2680 | 3000K | 390mm |
| LGT.130.101.22 | Power Led | 21W | 350mA | 18 | 2734 | 3500K | 390mm |
| LGT.130.101.23 | Power Led | 21W | 350mA | 18 | 2790 | 4000K | 390mm |
| LGT.130.101.24 | Power Led | 21W | 350mA | 18 | 2875 | 6000K | 390mm |
| LGT.130.101.25 | Power Led | 21W | 350mA | 18 | 1225 | Red / Kırmızı | 390mm |
| LGT.130.101.26 | Power Led | 21W | 350mA | 18 | 1900 | Green / Yeşil | 390mm |
| LGT.130.101.27 | Power Led | 21W | 350mA | 18 | 810 | Blue / Mavi | 390mm |
| LGT.130.101.28 | Power Led | 21W | 350mA | 18 | 865 | Amber | 390mm |

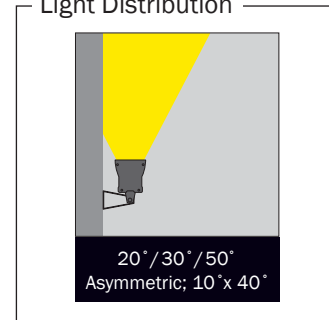


Dimensions



- Direct lighting luminaire for use with LEDs.
- Corrosion resistant aluminium profile body and die-cast aluminium end caps.
- Installation with bracket on floor, walls and ceiling surfaces.
- Mains voltage: 220-240V / 50-60Hz.
- Narrow, medium, wide and asymmetric beam angles available.
- Led colour temperatures are optionally 2700K, 3000K, 3500K, 4000K and 6000K.
- Colour Led options green, red, blue and amber available.
- Suitable for illumination up to 35-meter height.
- Optionally 2 cable entries for through-wiring of mains supply cable.
- Internal silicon gaskets ensure IP protection.
- All external screws are stainless steel.
- Double layer polyester powder paint resistant to corrosion and salt spray fog.

Light Distribution



- Up to 133lm/W efficiency.
- High colour consistency: <3 SDCM
- RGB and RGBW options available.
- Stainless steel cable gland and mains cable provided with IP68 socket.
- Mechanical aiming lock.
- Flexible adjusting mechanism enables fitting move

Encke-RGB / [LGT.130.101](#)

| Order Code | Led Type | No. of Leds | Kelvin | Lenght (A) |
|----------------|-----------|-------------|-------------------|------------|
| LGT.130.101.30 | Power Led | 18 | RGB (R6,G6,B6) | 390mm |
| LGT.130.101.31 | Power Led | 36 | RGB (R12,G12,B12) | 635mm |
| LGT.130.101.32 | Power Led | 54 | RGB (R18,G18,B18) | 930mm |