



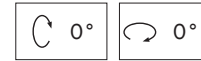
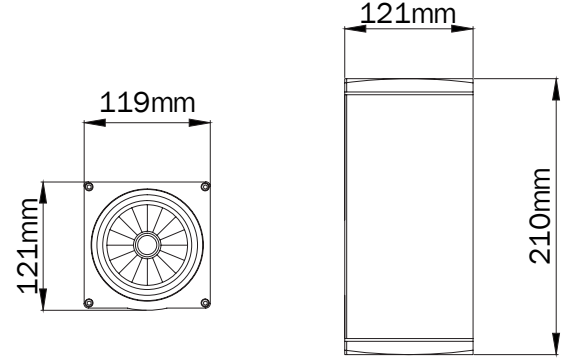
Merih

Merih range can also be delivered in surface mounting version under the product family name Merih Surface. Symmetrical light output. High efficient Miro Silver reflector attachment with highest lumen per watt COB leds maximizes the light output to emphasis the building facades. Specially processed safety glass prevents dirt and water from accumulating on the luminaires.

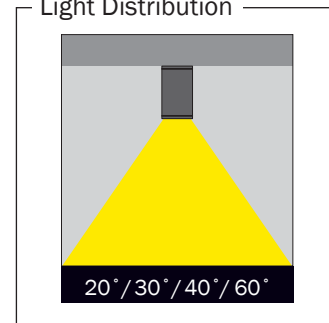


- Corrosion resistant die cast aluminium alloy.
- Installation with special base on ceiling.
- Mains voltage: 220-240V / 50-60Hz.
- Spot, medium, wide and wide flood beam angles available.
- Convenient to be used with COB led.
- Led colour temperatures are optionally 2700K, 3000K, 3500K, 4000K and 5000K.
- Thermal shock resistant safety glass.
- Weatherproof and durable silicone rubber gasket.
- Ultraviolet stabilized polyester powder coat finish in white, black, dark gray and light gray finish.
- Double layer polyester powder paint resistant to corrosion and salt spray fog.
- All external screws are stainless steel.
- High colour consistency: <3 SDCM
- Up to 139lm/W efficiency.

### Dimensions



### Light Distribution



### Merih / LGT.140.101

Code	LGT.140.101.01	
System Power	28W	
Lumen Output from Fixture	2700K	3668
	3000K	3744
	3500K	3820
	4000K	3898
	5000K	4015
CRI>80		
Driving Current	700mA	
Dali Dimming Option	✓	
1-10V Dimming Option	✓	

