



Mirach-X



Mirach-L

Mirach is an IP65 rated downlight spot range suitable to be used in outdoor recess ceiling areas, under canopies and for indoor areas in which high degree protection needed due to dust and moisture. Built in driver on single housing. High Efficient micro silver reflector and COB attachment with different beam angles.

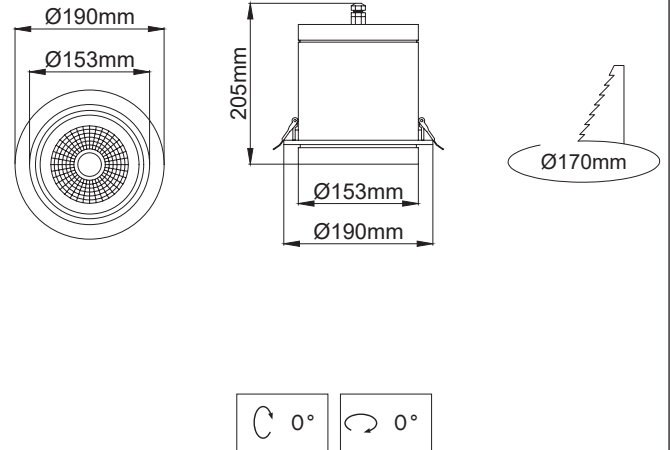


- Corrosion resistant die cast aluminium alloy.
- Installation with ceiling clipses.
- Mains voltage: 220-240V / 50-60Hz.
- Spot, medium, medium flood, wide and wide flood beam angles available.
- Convenient to be used with COB led.
- Led colour temperatures are optionally 2700K, 3000K, 3500K, 4000K and 5000K.
- Thermal shock resistant safety glass.
- Weatherproof and durable silicone rubber gasket.
- Ultraviolet stabilized polyester powder coat finish in white, black, dark gray and light gray finish.
- Double layer polyester powder paint resistant to corrosion and salt spray fog.
- All external screws are stainless steel.
- High colour consistency: <3 SDCM
- Up to 146lm/W efficiency.

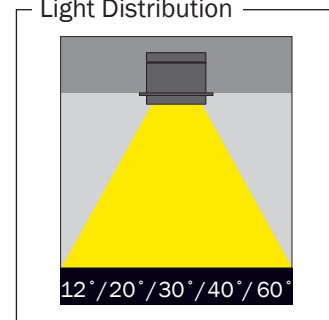
Mirach-X / [LGT.140.103](#)

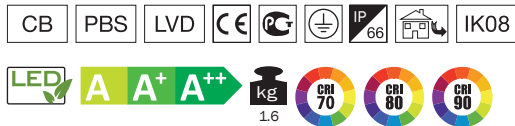
Code	LGT.140.103.01	
System Power	35W	
Lumen Output from Fixture CRI>80	2700K	4805
	3000K	4905
	3500K	5005
	4000K	5107
	5000K	5260
Driving Current	900mA	
Dali Dimming Option	✓	
1-10V Dimming Option	✓	

Dimensions



Light Distribution



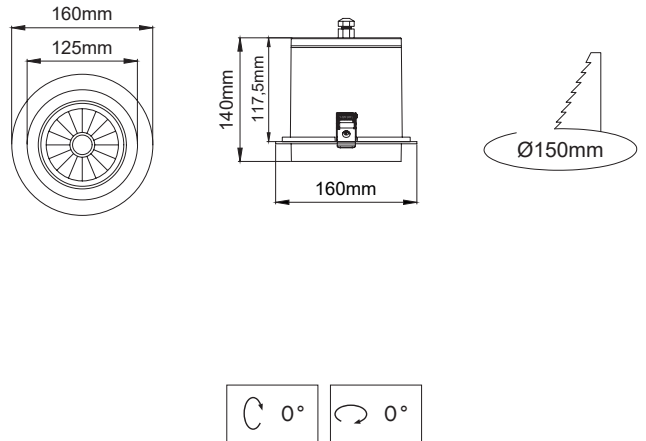


- Corrosion resistant die cast aluminium alloy.
- Installation with ceiling clipses.
- Mains voltage: 220-240V / 50-60Hz.
- Spot, medium, wide and wide flood beam angles available.
- Convenient to be used with COB led.
- Led colour temperatures are optionally 2700K, 3000K, 3500K, 4000K and 5000K.
- Thermal shock resistant safety glass.
- Weatherproof and durable silicone rubber gasket.
- Ultraviolet stabilized polyester powder coat finish in white, black, dark gray and light gray finish.
- Double layer polyester powder paint resistant to corrosion and salt spray fog.
- All external screws are stainless steel.
- High colour consistency: <3 SDCM
- Up to 143lm/W efficiency.

Terra Mini / [LGT.140.103](#)

Code	LGT.140.103.10	
System Power	28W	
Lumen Output from Fixture CRI>80	2700K	3767
	3000K	3844
	3500K	3922
	4000K	4002
	5000K	4122
Driving Current	700mA	
Dali Dimming Option	✓	
1-10V Dimming Option	✓	

Dimensions



Light Distribution

