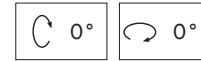
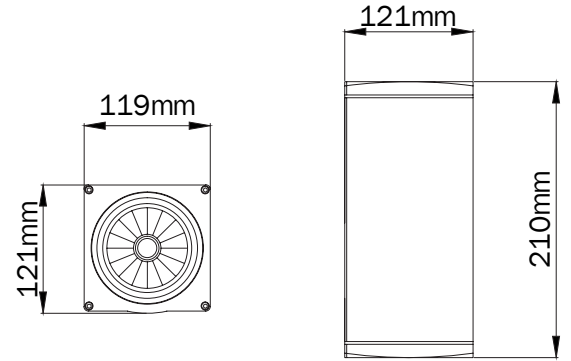


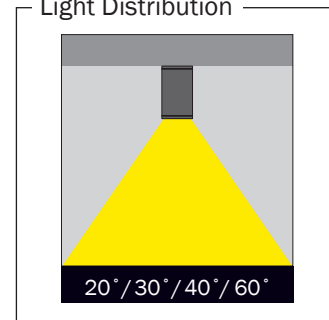


- Corrosion resistant die cast aluminium alloy.
- Installation with special base on ceiling.
- Mains voltage: 220-240V / 50-60Hz.
- Spot, medium, wide and wide flood beam angles available.
- Convenient to be used with COB led.
- Led colour temperatures are optionally 2700K, 3000K, 3500K, 4000K and 5000K.
- Thermal shock resistant safety glass.
- Weatherproof and durable silicone rubber gasket.
- Ultraviolet stabilized polyester powder coat finish in white, black, dark gray and light gray finish.
- Double layer polyester powder paint resistant to corrosion and salt spray fog.
- All external screws are stainless steel.
- High colour consistency: <3 SDCM
- Up to 139lm/W efficiency.

Dimensions



Light Distribution



Merih / LGT.140.101

Code	LGT.140.101.01	
System Power	28W	
Lumen Output from Fixture	2700K	3668
	3000K	3744
	3500K	3820
	4000K	3898
	5000K	4015
CRI>80		
Driving Current	700mA	
Dali Dimming Option	✓	
1-10V Dimming Option	✓	

