

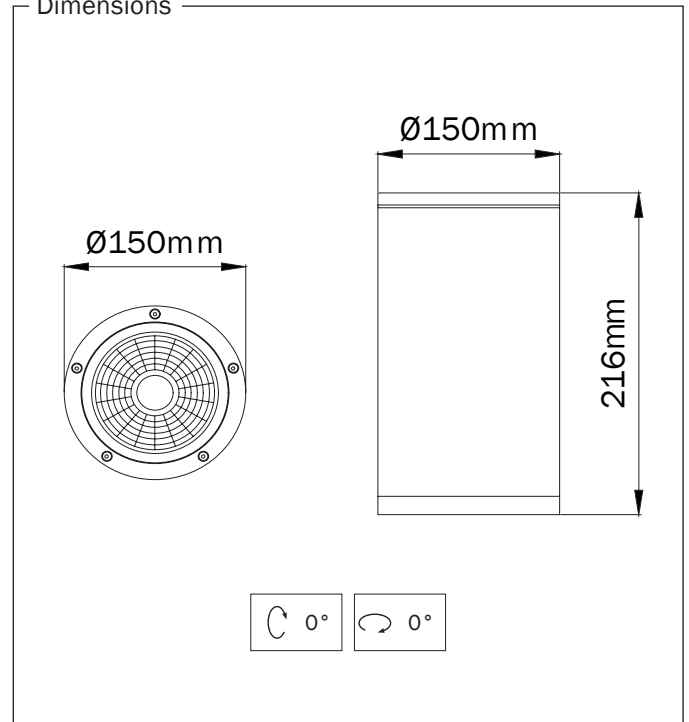


- Corrosion resistant die cast aluminium alloy.
- Installation with special base on ceiling.
- Mains voltage: 220-240V / 50-60Hz.
- Spot, medium, medium flood, wide and wide flood beam angles available.
- Convenient to be used with COB led.
- Led colour temperatures are optionally 2700K, 3000K, 3500K, 4000K and 5000K.
- Thermal shock resistant safety glass.
- Weatherproof and durable silicone rubber gasket.
- Ultraviolet stabilized polyester powder coat finish in white, black, dark gray and light gray finish.
- Double layer polyester powder paint resistant to corrosion and salt spray fog.
- All external screws are stainless steel.
- High colour consistency: <3 SDCM
- Up to 142lm/W efficiency.

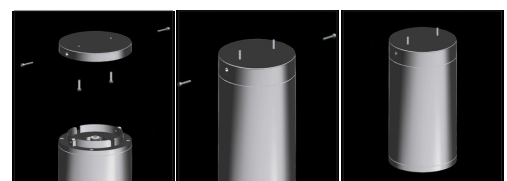
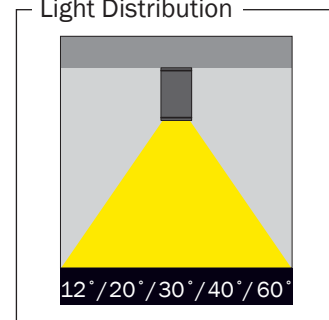
Venus - X / LGT.140.100

Code	LGT.140.100.01	
System Power	40W	
Lumen Output from Fixture	2700K	5334
	3000K	5442
	3500K	5553
	4000K	5667
	5000K	5837
CRI>80		
Driving Current	1050mA	
Dali Dimming Option	✓	
1-10V Dimming Option	✓	

Dimensions



Light Distribution



- Surface mounting backplate first to be installed to the surface.
- Main body connected to the backplate and fixed with stainless fixation screws.

