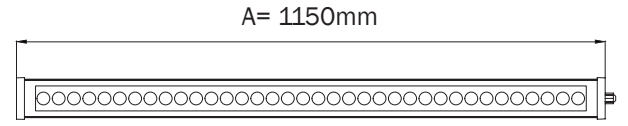
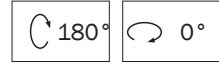




Dimensions

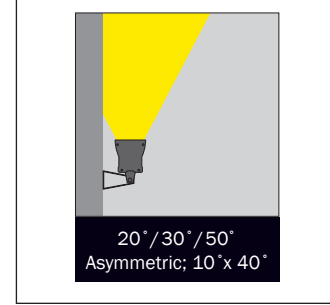


kg
4.8



- Direct lighting luminaire for use with LEDs.
- Corrosion resistant aluminium profile body and die-cast aluminium end caps.
- Installation with bracket on floor, walls and ceiling surfaces.
- Mains voltage: 220-240V / 50-60Hz.
- Narrow, medium, wide and asymmetric beam angles available.
- Led colour temperatures are optionally 2700K, 3000K, 3500K, 4000K and 6000K.
- Colour Led options green, red, blue and amber available.
- Suitable for illumination up to 20-meter height.
- Optionally 2 cable entries for through-wiring of mains supply cable.
- Internal silicon gaskets ensure IP protection.
- All external screws are stainless steel.
- Double layer polyester powder paint resistant to corrosion and salt spray fog.

Light Distribution



- Up to 131lm/W efficiency.
- High colour consistency: <3 SDCM
- RGB and RGBW options available.
- Stainless steel cable gland and mains cable provided with IP68 socket.
- Mechanical aiming lock.
- Flexible adjusting mechanism enables fitting move 180° in one axis.

Halley-X / LGT.130.100

Order Code	Led Type	System Power	mA	No. of Leds /	Lumen Tc=60°	Kelvin	Lenght (A)
LGT.130.100.01	Power Led	44W	350mA	36	5448	2700K	1150mm
LGT.130.100.02	Power Led	44W	350mA	36	5560	3000K	1150mm
LGT.130.100.03	Power Led	44W	350mA	36	5672	3500K	1150mm
LGT.130.100.04	Power Led	44W	350mA	36	5790	4000K	1150mm
LGT.130.100.05	Power Led	44W	350mA	36	5960	6000K	1150mm
LGT.130.100.06	Power Led	32W	350mA	36	2548	Red / Kırmızı	1150mm
LGT.130.100.07	Power Led	46W	350mA	36	3936	Green / Yeşil	1150mm
LGT.130.100.08	Power Led	45W	350mA	36	1680	Blue / Mavi	1150mm
LGT.130.100.09	Power Led	32W	350mA	36	1852	Amber	1150mm