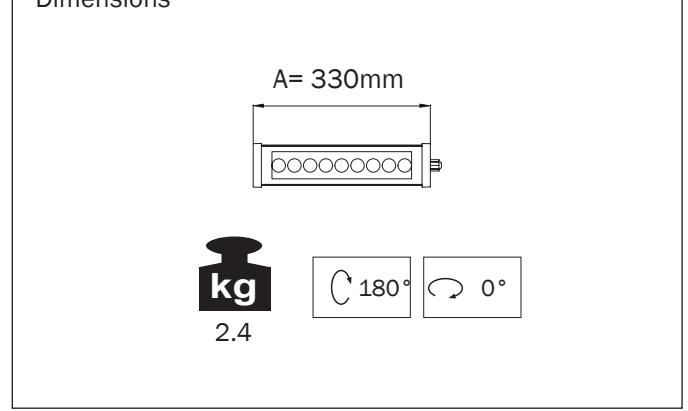


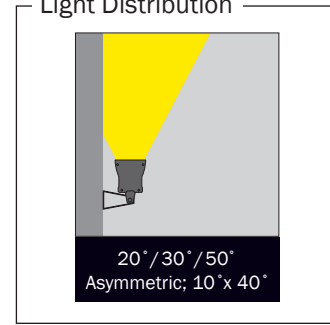


- Direct lighting luminaire for use with LEDs.
- Corrosion resistant aluminium profile body and die-cast aluminium end caps.
- Installation with bracket on floor, walls and ceiling surfaces.
- Mains voltage: 220-240V / 50-60Hz.
- Narrow, medium, wide and asymmetric beam angles available.
- Led colour temperatures are optionally 2700K, 3000K, 3500K, 4000K and 6000K.
- Colour Led options green, red, blue and amber available.
- Suitable for illumination up to 20-meter height.
- Optionally 2 cable entries for through-wiring of mains supply cable.
- Internal silicon gaskets ensure IP protection.
- All external screws are stainless steel.
- Double layer polyester powder paint resistant to corrosion and salt spray fog.

Dimensions



Light Distribution



- Up to 131lm/W efficiency.
- High colour consistency: <3 SDCM
- RGB and RGBW options available.
- Stainless steel cable gland and mains cable provided with IP68 socket.
- Mechanical aiming lock.
- Flexible adjusting mechanism enables fitting move 180° in one axis.

Halley-S / LGT.130.100

Order Code	Led Type	System Power	mA	No. of Leds /	Lumen Tc=60°	Kelvin	Lenght (A)
LGT.130.100.30	Power Led	11W	350mA	9	1362	2700K	330mm
LGT.130.100.31	Power Led	11W	350mA	9	1390	3000K	330mm
LGT.130.100.32	Power Led	11W	350mA	9	1418	3500K	330mm
LGT.130.100.33	Power Led	11W	350mA	9	1447	4000K	330mm
LGT.130.100.34	Power Led	11W	350mA	9	1490	6000K	330mm
LGT.130.100.35	Power Led	8W	350mA	9	637	Red / Kırmızı	330mm
LGT.130.100.36	Power Led	11W	350mA	9	984	Green / Yeşil	330mm
LGT.130.100.37	Power Led	11W	350mA	9	420	Blue / Mavi	330mm
LGT.130.100.38	Power Led	8W	350mA	9	463	Amber	330mm