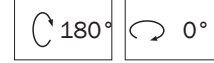
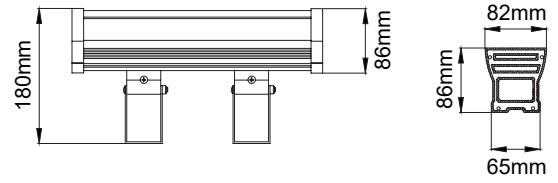
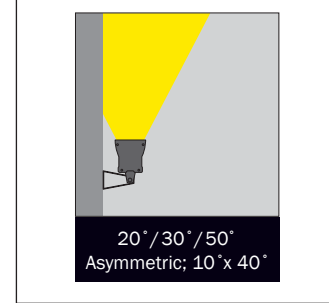


Dimensions



- Direct lighting luminaire for use with LEDs.
- Corrosion resistant aluminium profile body and die-cast aluminium end caps.
- Installation with bracket on floor, walls and ceiling surfaces.
- Mains voltage: 220-240V / 50-60Hz.
- Narrow, medium, wide and asymmetric beam angles available.
- Led colour temperatures are optionally 2700K, 3000K, 3500K, 4000K and 6000K.
- Colour Led options green, red, blue and amber available.
- Suitable for illumination up to 20-meter height.
- Optionally 2 cable entries for through-wiring of mains supply cable.
- Internal silicon gaskets ensure IP protection.
- All external screws are stainless steel.
- Double layer polyester powder paint resistant to corrosion and salt spray fog.

Light Distribution



- Up to 131lm/W efficiency.
- High colour consistency: <3 SDCM
- RGB and RGBW options available.
- Stainless steel cable gland and mains cable provided with IP68 socket.
- Mechanical aiming lock.
- Flexible adjusting mechanism enables fitting move 180° in one axis.

Halley-RGB / LGT.130.100

Order Code /	Led Type	No. of Leds	Kelvin	Lenght (A)
LGT.130.100.40	Power Led	9	RGB (R3,G3,B3)	330mm
LGT.130.100.41	Power Led	18	RGB (R6,G6,B6)	604mm
LGT.130.100.42	Power Led	27	RGB (R9,G9,B9)	930mm
LGT.130.100.43	Power Led	36	RGB (R12,G12,B12)	1150mm