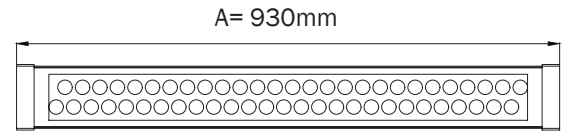




Dimensions

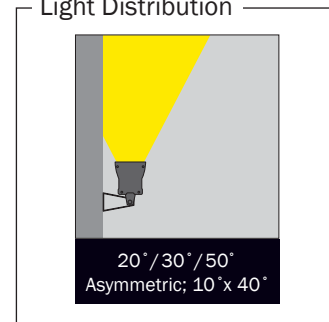


kg
6,6



- Direct lighting luminaire for use with LEDs.
- Corrosion resistant aluminium profile body and die-cast aluminium end caps.
- Installation with bracket on floor, walls and ceiling surfaces.
- Mains voltage: 220-240V / 50-60Hz.
- Narrow, medium, wide and asymmetric beam angles available.
- Led colour temperatures are optionally 2700K, 3000K, 3500K, 4000K and 6000K.
- Colour Led options green, red, blue and amber available.
- Suitable for illumination up to 35-meter height.
- Optionally 2 cable entries for through-wiring of mains supply cable.
- Internal silicon gaskets ensure IP protection.
- All external screws are stainless steel.
- Double layer polyester powder paint resistant to corrosion and salt spray fog.

Light Distribution



- Up to 133lm/W efficiency.
- High colour consistency: <3 SDCM
- RGB and RGBW options available.
- Stainless steel cable gland and mains cable provided with IP68 socket.
- Mechanical aiming lock.
- Flexible adjusting mechanism enables fitting move

Encke-X / [LGT.130.101](#)

Order Code	Led Type	System Power	mA	No. of Leds /	Lumen Tc=60°	Kelvin	Lenght (A)
LGT.130.101.01	Power Led	63W	350mA	54	7875	2700K	930mm
LGT.130.101.02	Power Led	63W	350mA	54	8040	3000K	930mm
LGT.130.101.03	Power Led	63W	350mA	54	8202	3500K	930mm
LGT.130.101.04	Power Led	63W	350mA	54	8370	4000K	930mm
LGT.130.101.05	Power Led	63W	350mA	54	8625	6000K	930mm
LGT.130.101.06	Power Led	63W	350mA	54	3675	Red / Kırmızı	930mm
LGT.130.101.07	Power Led	63W	350mA	54	5700	Green / Yeşil	930mm
LGT.130.101.08	Power Led	63W	350mA	54	2430	Blue / Mavi	930mm
LGT.130.101.09	Power Led	63W	350mA	54	2595	Amber	930mm