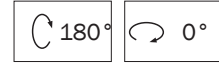
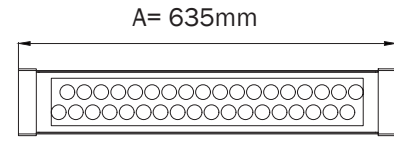


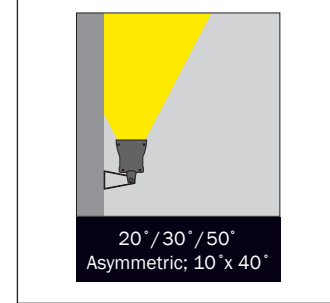


Dimensions



- Direct lighting luminaire for use with LEDs.
- Corrosion resistant aluminium profile body and die-cast aluminium end caps.
- Installation with bracket on floor, walls and ceiling surfaces.
- Mains voltage: 220-240V / 50-60Hz.
- Narrow, medium, wide and asymmetric beam angles available.
- Led colour temperatures are optionally 2700K, 3000K, 3500K, 4000K and 6000K.
- Colour Led options green, red, blue and amber available.
- Suitable for illumination up to 35-meter height.
- Optionally 2 cable entries for through-wiring of mains supply cable.
- Internal silicon gaskets ensure IP protection.
- All external screws are stainless steel.
- Double layer polyester powder paint resistant to corrosion and salt spray fog.

Light Distribution



- Up to 133lm/W efficiency.
- High colour consistency: <3 SDCM
- RGB and RGBW options available.
- Stainless steel cable gland and mains cable provided with IP68 socket.
- Mechanical aiming lock.
- Flexible adjusting mechanism enables fitting move

Encke-L / LGT.130.101

Order Code	Led Type	System Power	mA	No. of Leds /	Lumen Tc=60°	Kelvin	Lenght (A)
LGT.130.101.10	Power Led	42W	350mA	36	5250	2700K	635mm
LGT.130.101.11	Power Led	42W	350mA	36	5360	3000K	635mm
LGT.130.101.12	Power Led	42W	350mA	36	4748	3500K	635mm
LGT.130.101.13	Power Led	42W	350mA	36	5580	4000K	635mm
LGT.130.101.14	Power Led	42W	350mA	36	5750	6000K	635mm
LGT.130.101.15	Power Led	42W	350mA	36	2450	Red / Kırmızı	635mm
LGT.130.101.16	Power Led	42W	350mA	36	3800	Green / Yeşil	635mm
LGT.130.101.17	Power Led	42W	350mA	36	1620	Blue / Mavi	635mm
LGT.130.101.18	Power Led	42W	350mA	36	1730	Amber	635mm