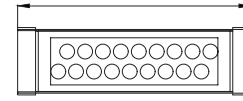




### Dimensions

A= 390mm

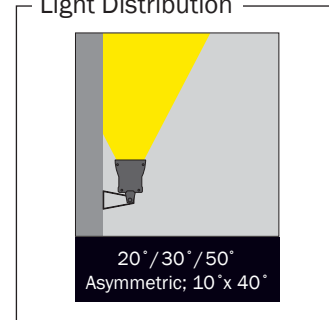


4



- Direct lighting luminaire for use with LEDs.
- Corrosion resistant aluminium profile body and die-cast aluminium end caps.
- Installation with bracket on floor, walls and ceiling surfaces.
- Mains voltage: 220-240V / 50-60Hz.
- Narrow, medium, wide and asymmetric beam angles available.
- Led colour temperatures are optionally 2700K, 3000K, 3500K, 4000K and 6000K.
- Colour Led options green, red, blue and amber available.
- Suitable for illumination up to 35-meter height.
- Optionally 2 cable entries for through-wiring of mains supply cable.
- Internal silicon gaskets ensure IP protection.
- All external screws are stainless steel.
- Double layer polyester powder paint resistant to corrosion and salt spray fog.

### Light Distribution



- Up to 133lm/W efficiency.
- High colour consistency: <3 SDCM
- RGB and RGBW options available.
- Stainless steel cable gland and mains cable provided with IP68 socket.
- Mechanical aiming lock.
- Flexible adjusting mechanism enables fitting move

### Encke-M /LGT.130.101

Order Code	Led Type	System Power	mA	No. of Leds /	Lumen Tc=60°	Kelvin	Lenght (A)
LGT.130.101.20	Power Led	21W	350mA	18	2625	2700K	390mm
LGT.130.101.21	Power Led	21W	350mA	18	2680	3000K	390mm
LGT.130.101.22	Power Led	21W	350mA	18	2734	3500K	390mm
LGT.130.101.23	Power Led	21W	350mA	18	2790	4000K	390mm
LGT.130.101.24	Power Led	21W	350mA	18	2875	6000K	390mm
LGT.130.101.25	Power Led	21W	350mA	18	1225	Red / Kırmızı	390mm
LGT.130.101.26	Power Led	21W	350mA	18	1900	Green / Yeşil	390mm
LGT.130.101.27	Power Led	21W	350mA	18	810	Blue / Mavi	390mm
LGT.130.101.28	Power Led	21W	350mA	18	865	Amber	390mm