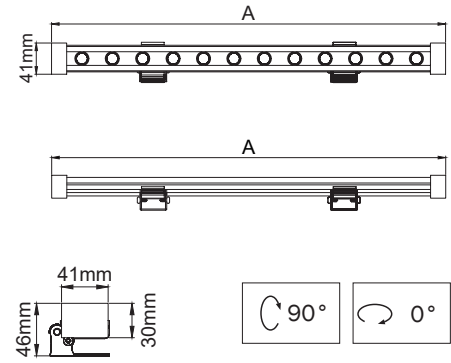
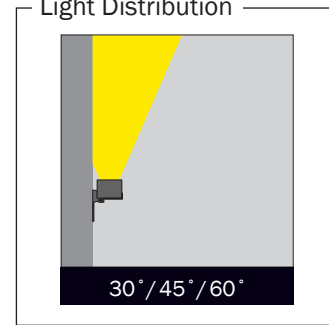


- Direct lighting luminaire for use with LEDs.
- Corrosion resistant aluminium profile body and die-cast aluminium end caps.
- Installation with bracket on floor, walls and ceiling surfaces.
- 24V DC Input system to be supplied by an external driver.
- Narrow, medium and wide beam angles available.
- Led colour temperatures are optionally 2700K, 3000K, 3500K, 4000K and 6000K.
- Colour Led options green, red, blue and amber available.
- Suitable for illumination up to 10-meter height.
- Internal silicon gaskets ensure IP protection.
- All external screws are stainless steel.
- Double layer polyester powder paint resistant to corrosion and salt spray fog.

Dimensions



Light Distribution



- Up to 124lm/W efficiency.
- High colour consistency: <3 SDCM
- Stainless steel cable gland and mains cable provided with IP68 socket.
- Mechanical aiming lock.
- Flexible adjusting mechanism enables fitting move 90° in one axis.

Swift-X / LGT.130.102

Order Code	Led Type	System Power	mA	No. of Leds /	Lumen Tc=60°	Kelvin	Lenght (A)
LGT.130.102.01	SMD Led	24W	24V	24	2790	2700K	1000mm
LGT.130.102.02	SMD Led	24W	24V	24	2848	3000K	1000mm
LGT.130.102.03	SMD Led	24W	24V	24	2906	3500K	1000mm
LGT.130.102.04	SMD Led	24W	24V	24	2966	4000K	1000mm
LGT.130.102.05	SMD Led	24W	24V	24	3054	6000K	1000mm
LGT.130.102.06	SMD Led	24W	24V	24	1246	Red / Kırmızı	1000mm
LGT.130.102.07	SMD Led	24W	24V	24	1958	Green / Yeşil	1000mm
LGT.130.102.08	SMD Led	24W	24V	24	800	Blue / Mavi	1000mm
LGT.130.102.09	SMD Led	24W	24V	24	860	Amber	1000mm