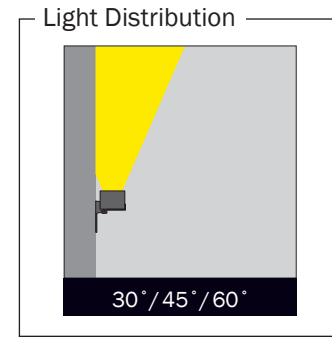
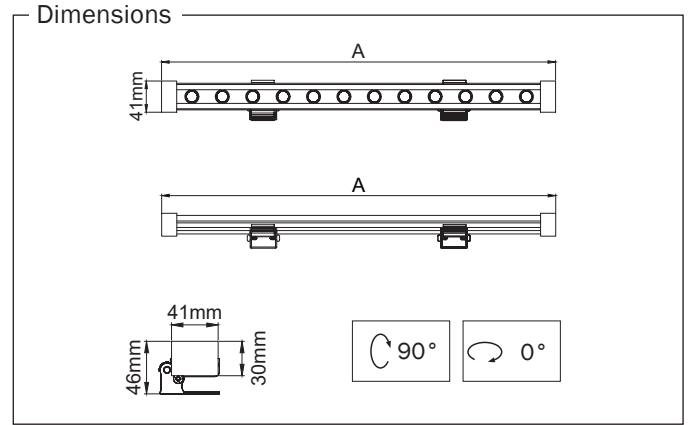


- Direct lighting luminaire for use with LEDs.
- Corrosion resistant aluminium profile body and die-cast aluminium end caps.
- Installation with bracket on floor, walls and ceiling surfaces.
- 24V DC Input system to be supplied by an external driver.
- Narrow, medium and wide beam angles available.
- Led colour temperatures are optionally 2700K, 3000K, 3500K, 4000K and 6000K.
- Colour Led options green, red, blue and amber available.
- Suitable for illumination up to 10-meter height.
- Internal silicon gaskets ensure IP protection.
- All external screws are stainless steel.
- Double layer polyester powder paint resistant to corrosion and salt spray fog.



- Up to 124lm/W efficiency.
- High colour consistency: <3 SDCM
- Stainless steel cable gland and mains cable provided with IP68 socket.
- Mechanical aiming lock.
- Flexible adjusting mechanism enables fitting move 90° in one axis.

Swift-L / [LGT.130.102](#)

Order Code	Led Type	System Power	mA	No. of Leds /	Lumen Tc=60°	Kelvin	Lenght (A)
LGT.130.102.10	SMD Led	12W	24V	12	1395	2700K	520mm
LGT.130.102.11	SMD Led	12W	24V	12	1424	3000K	520mm
LGT.130.102.12	SMD Led	12W	24V	12	1453	3500K	520mm
LGT.130.102.13	SMD Led	12W	24V	12	1483	4000K	520mm
LGT.130.102.14	SMD Led	12W	24V	12	1527	6000K	520mm
LGT.130.102.15	SMD Led	12W	24V	12	623	Red / Kırmızı	520mm
LGT.130.102.16	SMD Led	12W	24V	12	979	Green / Yeşil	520mm
LGT.130.102.17	SMD Led	12W	24V	12	400	Blue / Mavi	520mm
LGT.130.102.18	SMD Led	12W	24V	12	430	Amber	520mm