

Uranus

Floodlight Series



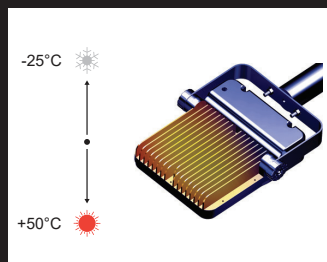
Uranus-X



Uranus-S

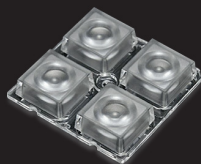
Operating Conditions

Thanks to its clever design heatsinks, our Falcon range can operate at extreme conditions between -25° +50° degree ambient temperature.



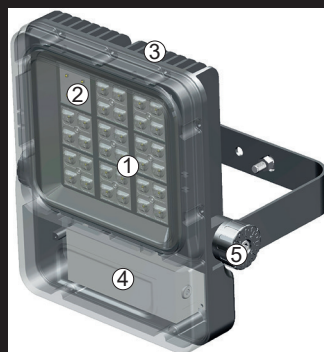
Optics

High efficient PMMA lens optic compatible to floodlighting applications.



Tunable White

- High efficient lens optic with spot, medium, wide, wide flood and oval distribution options.
- Highest efficiency power led's with 2700K, 3000K, 3500K, 4000K and 6000K CCT options.
- High capacity cooling fins enable the fitting operate even in high Ta conditions.
- High quality LED driver that can function both in low and high Ta conditions with five years warranty. On/off, 1-10V and DALI options available.
- 120dg adjustable mounting arm with mechanical lock system.



Tunable White

We can provide dynamic white colour change in our Uranus floodlight range from 2700K to 5700K. Control can be done both from automation system or wireless.



Design

Uranus range has compact and nice shape. Two different size and eight different power options with alternative optical distribution and colour temperatures makes this range very flexible that answers various requirements in outdoor lighting.

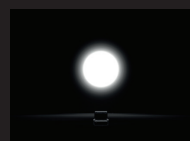


Visual Comfort and Safety

Different accessories like visor, protection grill and honeycomb filter can be integrated to Herkül to increase the visual comfort, decrease glare and increase safety.



Beam Angles



15° - Spot Beam



35° - Medium Beam



70° - Wide Beam



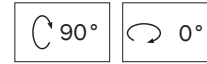
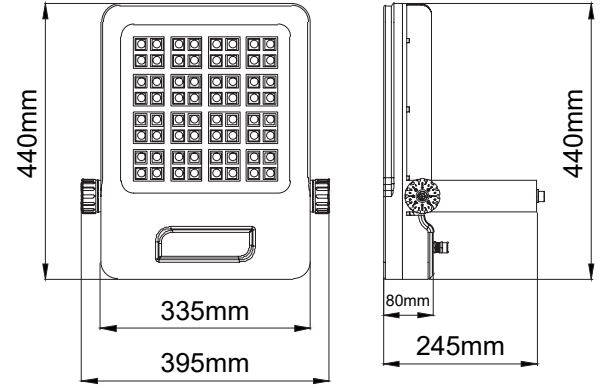
100° - Wide Flood



Oval; 30° x 110°

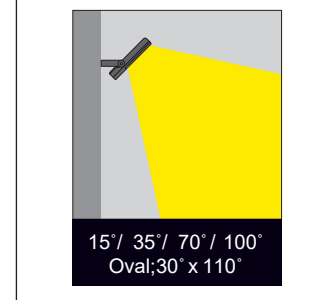


Dimensions



- Direct lighting luminaire for use with LEDs.
- Corrosion resistant die-cast aluminium body.
- Installation with bracket on floor, walls and ceiling surfaces.
- Mains voltage: 220-240V / 50-60Hz.
- Clever thermal design with internal cooling pins.
- Spot, medium, wide, wide flood and oval beam angles available.
- Led colour temperatures are optionally 2700K, 3000K, 3500K, 4000K and 6000K.
- Suitable for illumination up to 25 meter height.
- Optionally 2 cable entries for through-wiring of mains supply cable.
- Internal silicon gaskets ensure IP protection.
- All external screws are stainless steel.
- Double layer polyester powder paint resistant to corrosion and salt spray fog.
- Up to 135lm/W efficiency.
- High colour consistency: <3 SDCM
- Tunable White and RGBW options available.
- Stainless steel cable gland and mains cable provided with IP68 socket.
- Mechanical aiming lock.
- DALI and 1-10V dimming options available.
- Due to high heatsink capacity, Uranus can operate in high Ta temperature conditions.

Light Distribution



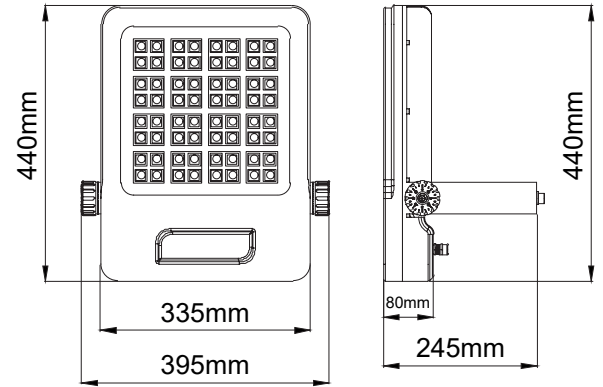
Uranus-X / LGT.110.102

Order Code	System Power	Kelvin / Color	Driving Current	Dali Dimming Opt.	1-10V Dali Dimming Opt
LGT.110.102.01	200W	2700K	650mA	✓	✓
LGT.110.102.02	175W	3000K	750mA	✓	✓
LGT.110.102.03	150W	3500K	850mA	✓	✓
LGT.110.102.04	125W	4000K	950mA	✓	✓

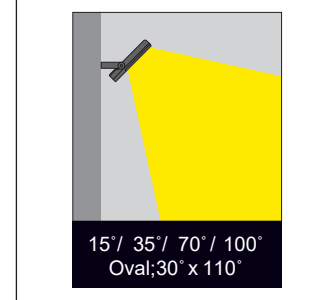


- Direct lighting luminaire for use with LEDs.
- Corrosion resistant die-cast aluminium body.
- Installation with bracket on floor, walls and ceiling surfaces.
- Mains voltage: 220-240V / 50-60Hz.
- Clever thermal design with internal cooling pins.
- Spot, medium, wide, wide flood and oval beam angles available.
- Optionally 2 cable entries for through-wiring of mains supply cable.
- Internal silicon gaskets ensure IP protection.
- All external screws are stainless steel.
- Double layer polyester powder paint resistant to corrosion and salt spray fog.
- Up to 135lm/W efficiency.
- High colour consistency: <3 SDCM
- Tunable White and RGBW options available.
- Stainless steel cable gland and mains cable provided with IP68 socket.
- Mechanical aiming lock.
- DALI and 1-10V dimming options available.
- Due to high heatsink capacity, Uranus can operate in high Ta temperature conditions.

Dimensions



Light Distribution

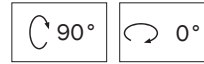
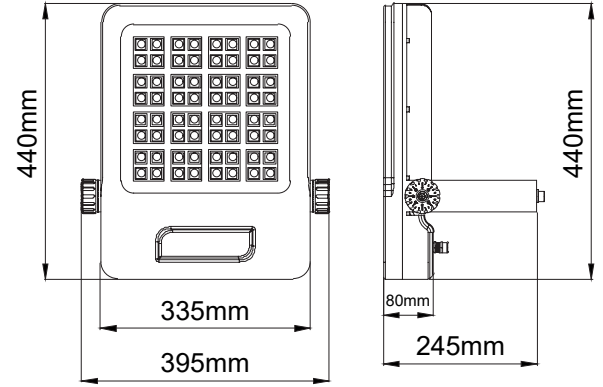


Code	LGT.110.102.06
Light Color Source	RGBW 4 in 1 Power Led
LED Quantity	24
Beam Angle	15°/35°/70°/100°/ Oval; 30°x110°
Digital Interface	Standard DMX protocol

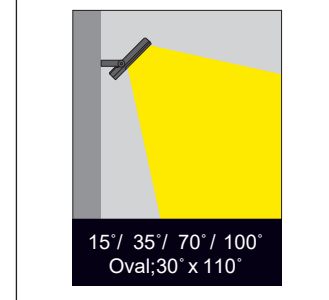


- Direct lighting luminaire for use with LEDs.
- Corrosion resistant die-cast aluminium body.
- Installation with bracket on floor, walls and ceiling surfaces.
- Mains voltage: 220-240V / 50-60Hz.
- Clever thermal design with internal cooling pins.
- Spot, medium, wide, wide flood and oval beam angles available.
- Optionally 2 cable entries for through-wiring of mains supply cable.
- Internal silicon gaskets ensure IP protection.
- All external screws are stainless steel.
- Double layer polyester powder paint resistant to corrosion and salt spray fog.
- Up to 135lm/W efficiency.
- High colour consistency: <3 SDCM
- Tunable White and RGBW options available.
- Stainless steel cable gland and mains cable provided with IP68 socket.
- Mechanical aiming lock.
- DALI and 1-10V dimming options available.
- Due to high heatsink capacity, Uranus can operate in high Ta temperature conditions.

Dimensions



Light Distribution



Code	LGT.110.102.05
Light Color Source	2700K-6000K Tunable White
LED Quantity	64
Beam Angle	15°/35°/70°/100° / Oval; 30°x110°
Digital Interface	Standard DMX protocol
Wireless Control	CASAMBI