

Galaxy

Floodlight Series



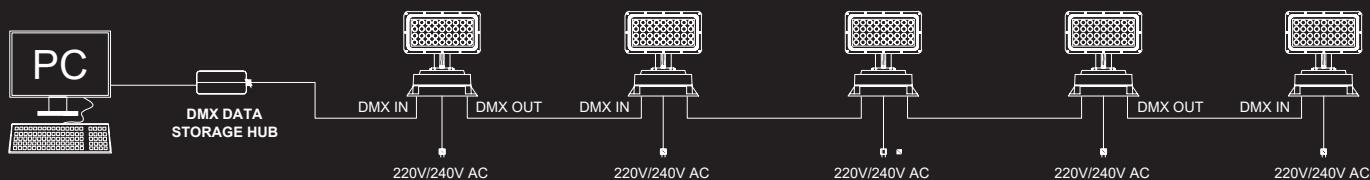
Galaxy

Galaxy-RGB

- Direct lighting luminaire for use with LEDs.
- Corrosion resistant die-cast aluminium body.
- Installation with bracket on floor, walls and ceiling surfaces.
- Mains voltage: 220-240V / 50-60Hz.
- Clever thermal design.
- Spot, medium and wide beam angles available.
- Led colour temperatures are optionally 2700K, 3000K, 3500K, 4000K, 6000K, Red, Green, Blue and Amber.
- Suitable for illumination up to 20 meter height.
- Optionally 2 cable entries for through-wiring of mains supply cable.
- Internal silicon gaskets ensure IP protection.
- All external screws are stainless steel.
- Double layer polyester powder paint resistant to corrosion and salt spray fog.
- Up to 138lm/W efficiency.
- High colour consistency: <3 SDCM
- Stainless steel cable gland and mains cable provided with IP68 socket.
- Mechanical aiming lock.
- DALI and 1-10V dimming options available.

Key Advantages

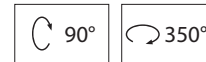
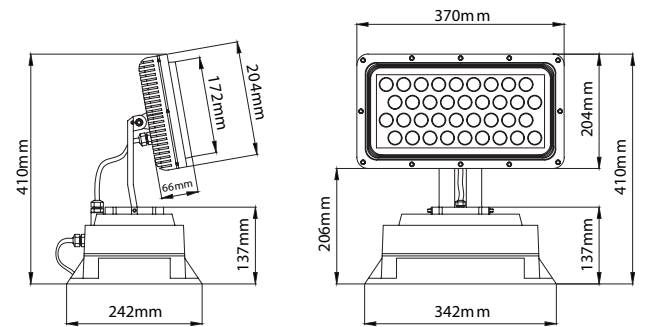
Nightstar LED wallwasher incorporates 36pcs power LEDs that creates an architectural and decorative illumination. The fixture generates high quality white color ranging from 2700K to 6000K and RGB. Nightstar has IP66 protection rating that can be used safely in outdoor projects. Completely aluminium die-cast body ensures optimal working conditions for LEDs that increase the lifetime significantly. Light reflects up to 20 meter height.



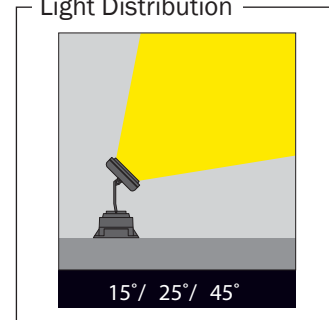


- Direct lighting luminaire for use with LEDs.
- Corrosion resistant die-cast aluminium body.
- Installation with bracket on floor, walls and ceiling surfaces.
- Mains voltage: 220-240V / 50-60Hz.
- Clever thermal design.
- Spot, medium and wide beam angles available.
- Led colour temperatures are optionally 2700K, 3000K, 3500K, 4000K, 6000K, Red, Green, Blue and Amber.
- Suitable for illumination up to 20 meter height.
- Optionally 2 cable entries for through-wiring of mains supply cable.
- Internal silicon gaskets ensure IP protection.
- All external screws are stainless steel.
- Double layer polyester powder paint resistant to corrosion and salt spray fog.
- Up to 138lm/W efficiency.
- High colour consistency: <3 SDCM
- Stainless steel cable gland and mains cable provided with IP68 socket.
- Mechanical aiming lock.
- DALI and 1-10V dimming options available.

Dimensions



Light Distribution



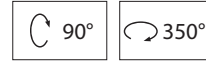
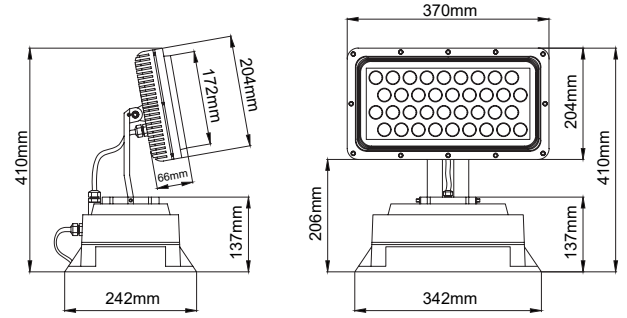
Galaxy / LGT.110.104

Order Code	System Power	mA	No. of Leds	Lumen Tc=60°	Kelvin
LGT.110.104.01	55W	500mA	36	7150	2700K
LGT.110.104.02	55W	500mA	36	7295	3000K
LGT.110.104.03	55W	500mA	36	7445	3500K
LGT.110.104.04	55W	500mA	36	7596	4000K
LGT.110.104.05	55W	500mA	36	7825	6000K
LGT.110.104.06	55W	500mA	36	5980	Red
LGT.110.104.07	55W	500mA	36	7520	Green
LGT.110.104.08	55W	500mA	36	3428	Blue
LGT.110.104.09	55W	500mA	36	3530	Amber

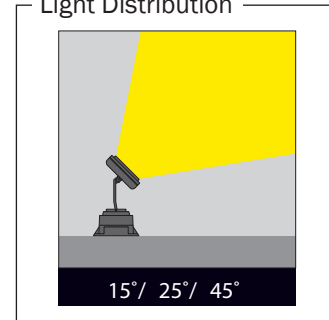


- Direct lighting luminaire for use with LEDs.
- Corrosion resistant die-cast aluminium body.
- Installation with bracket on floor, walls and ceiling surfaces.
- Mains voltage: 220-240V / 50-60Hz.
- Clever thermal design.
- Spot, medium and wide beam angles available.
- Led colour temperatures are Red, Green, Blue and Amber.
- Suitable for illumination up to 20 meter height.
- Optionally 2 cable entries for through-wiring of mains supply cable.
- Internal silicon gaskets ensure IP protection.
- All external screws are stainless steel.
- Double layer polyester powder paint resistant to corrosion and salt spray fog.
- Up to 138lm/W efficiency.
- High colour consistency: <3 SDCM
- Stainless steel cable gland and mains cable provided with IP68 socket.
- Mechanical aiming lock.
- DALI and 1-10V dimming options available.

Dimensions



Light Distribution



Galaxy RGB / LGT.110.104

Item Code	LGT.110.104.11
Light Color Source	1W High Power LED / 1W Power LED
LED Quantity	Red12, Green12, Blue12
Beam Angle	10°/25°/55°
Digital Interface	Standard DMX protocol
Connector	3-pin signal connector /

