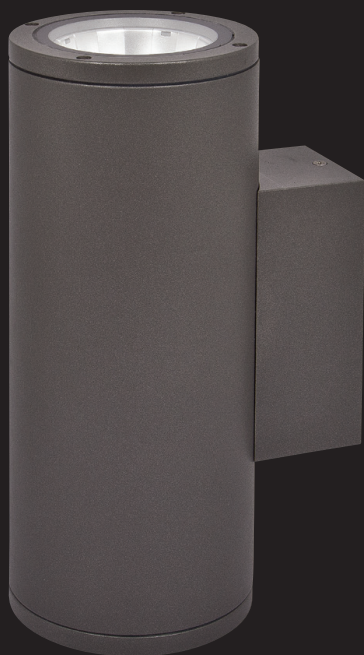


# Venus

Wall Light Series



Venus-L  
Venus-LW



Venus-M  
Venus-MW



Venus-S  
Venus-SW

Venus range is a perfect tool for illuminating the facades. Specifically designed for wall mounting applications. Light emission on both one and two sides with different beam angle options. High efficient Miro Silver reflector attachment with highest lumen per watt COB integrated.

Three main dimensions available. 150mm for 40W high lumen output, 125mm for 28W medium level lumen output and 71mm for 14W low lumen output. Specially processed safety glass prevents dirt and water from accumulating on the luminaires.

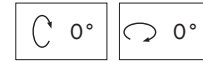
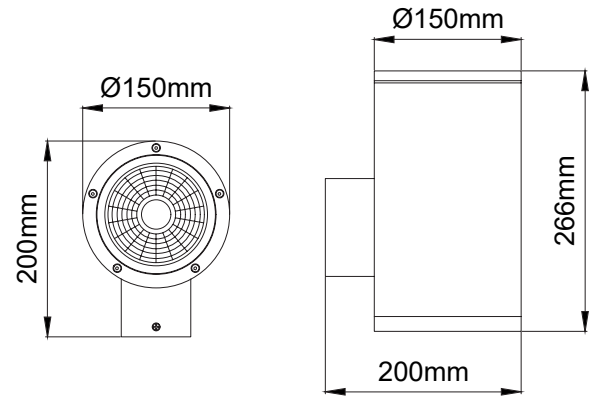


- Corrosion resistant die cast aluminium alloy.
- Installation with bracket on walls.
- Mains voltage: 220-240V / 50-60Hz.
- Spot, medium, medium flood, wide and wide flood beam angles available.
- Convenient to be used with COB led.
- Led colour temperatures are optionally 2700K, 3000K, 3500K, 4000K and 5000K.
- Thermal shock resistant safety glass.
- Weatherproof and durable silicone rubber gasket.
- Ultraviolet stabilized polyester powder coat finish in white, black, dark gray and light gray finish.
- Luminaire can be installed in any burning position.
- Double layer polyester powder paint resistant to corrosion and salt spray fog.
- All external screws are stainless steel.
- High colour consistency: <3 SDCM
- Up to 139lm/W efficiency.

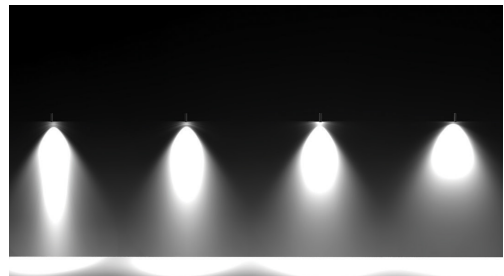
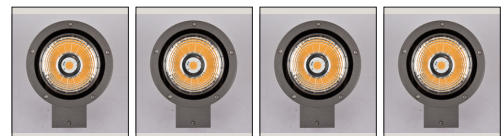
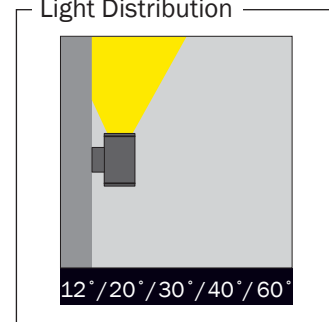
Venus-L / [LGT.40.102](#)

Code	<a href="#">LGT.40.102.01</a>	
System Power	40W	
Lumen Output from Fixture CRI>80	2700K	5230
	3000K	5335
	3500K	5445
	4000K	5556
	5000K	5720
Driving Current	1050mA	
Dali Dimming Option	✓	
1-10V Dimming Option	✓	

### Dimensions



### Light Distribution

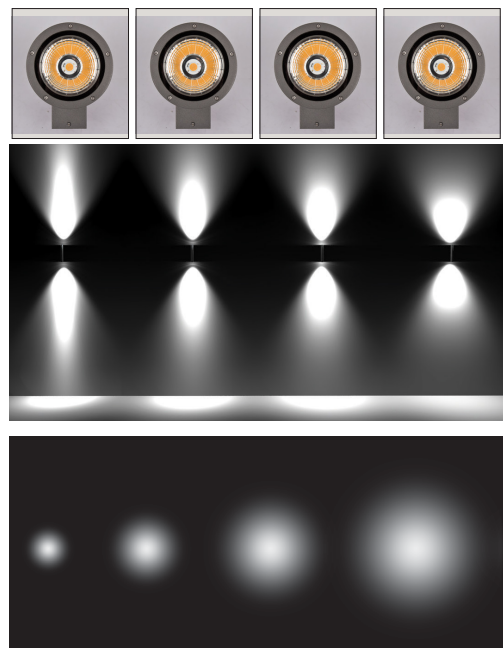
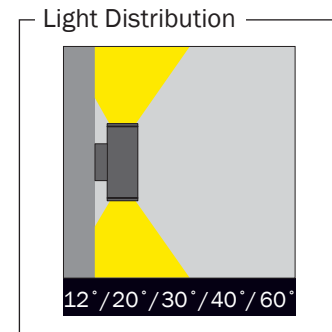
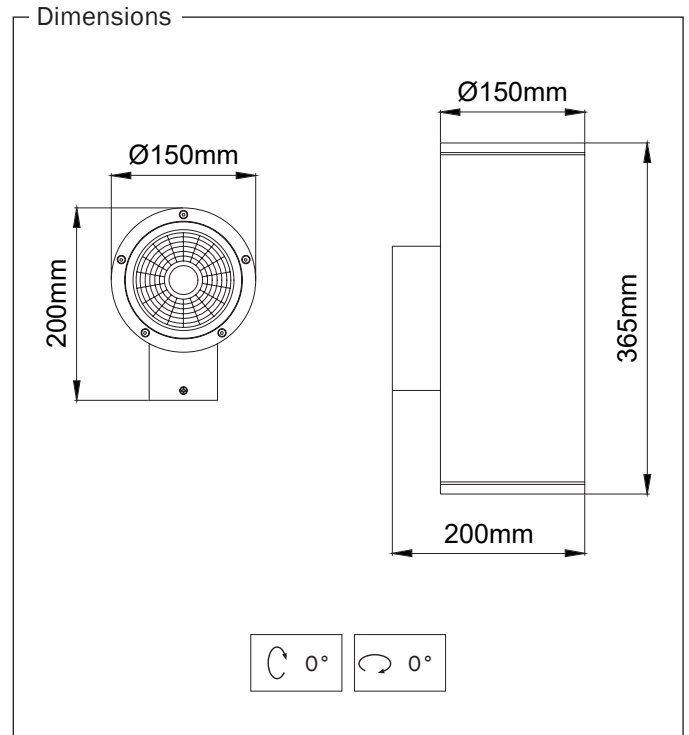




- Corrosion resistant die cast aluminium alloy.
- Installation with bracket on walls.
- Mains voltage: 220-240V / 50-60Hz.
- Spot, medium, medium flood, wide and wide flood beam angles available.
- Convenient to be used with COB led.
- Led colour temperatures are optionally 2700K, 3000K, 3500K, 4000K and 5000K.
- Thermal shock resistant safety glass.
- Weatherproof and durable silicone rubber gasket.
- Ultraviolet stabilized polyester powder coat finish in white, black, dark gray and light gray finish.
- Double layer polyester powder paint resistant to corrosion and salt spray fog.
- All external screws are stainless steel.
- High colour consistency: <3 SDCM
- Up to 139lm/W efficiency.

Venus-LW / [LGT.40.102](#)

Code	<a href="#">LGT.40.102.10</a>	
System Power	2x40W	
Lumen Output from Fixture	2700K	2x5230
	3000K	2x5335
	3500K	2x5445
	4000K	2x5556
	5000K	2x5720
Driving Current	1050mA	
Dali Dimming Option	✓	
1-10V Dimming Option	✓	



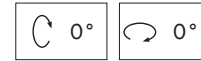
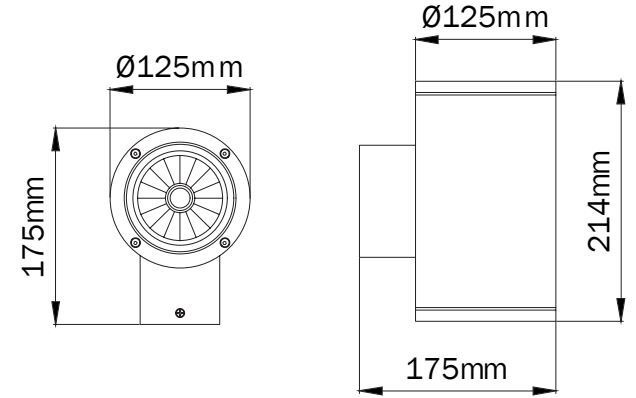


- Corrosion resistant die cast aluminium alloy.
- Installation with bracket on walls.
- Mains voltage: 220-240V / 50-60Hz.
- Spot, medium, wide and wide flood beam angles available.
- Convenient to be used with COB led.
- Led colour temperatures are optionally 2700K, 3000K, 3500K, 4000K and 5000K.
- Thermal shock resistant safety glass.
- Weatherproof and durable silicone rubber gasket.
- Ultraviolet stabilized polyester powder coat finish in white, black, dark gray and light gray finish.
- Luminaire can be installed in any burning position.
- Double layer polyester powder paint resistant to corrosion and salt spray fog.
- All external screws are stainless steel.
- High colour consistency: <3 SDCM
- Up to 143lm/W efficiency.

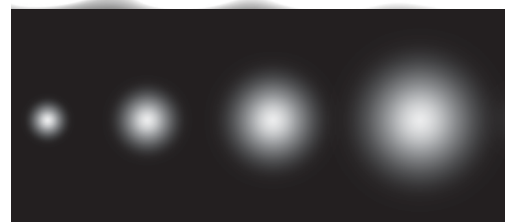
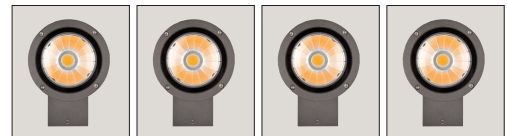
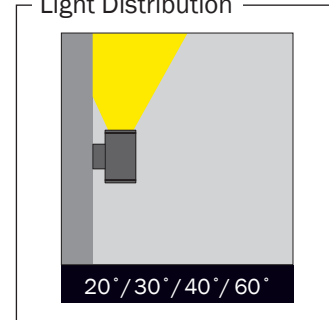
Koala Midi / [LGT.40.102](#)

Code	<a href="#">LGT.40.102.20</a>	
System Power	28W	
Lumen Output from Fixture	2700K	3765
	3000K	3840
	3500K	3920
	4000K	4000
	5000K	4120
CRI>80		
Driving Current	700mA	
Dali Dimming Option	✓	
1-10V Dimming Option	✓	

### Dimensions



### Light Distribution



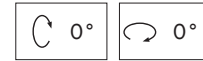
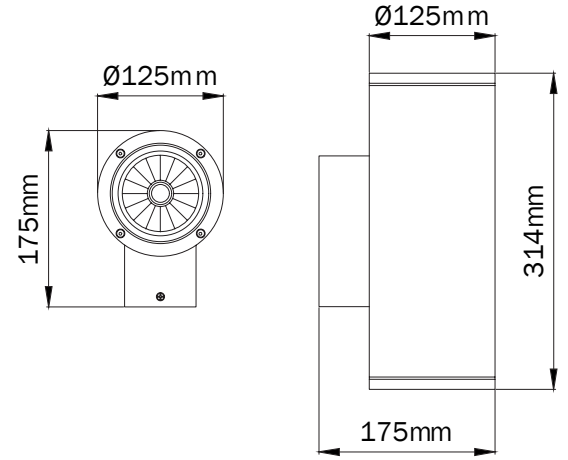


- Corrosion resistant die cast aluminium alloy.
- Installation with bracket on walls.
- Mains voltage: 220-240V / 50-60Hz.
- Spot, medium, wide and wide flood beam angles available.
- Convenient to be used with COB led.
- Led colour temperatures are optionally 2700K, 3000K, 3500K, 4000K and 5000K.
- Thermal shock resistant safety glass.
- Weatherproof and durable silicone rubber gasket.
- Ultraviolet stabilized polyester powder coat finish in white, black, dark gray and light gray finish.
- Double layer polyester powder paint resistant to corrosion and salt spray fog.
- All external screws are stainless steel.
- High colour consistency: <3 SDCM
- Up to 143lm/W efficiency.

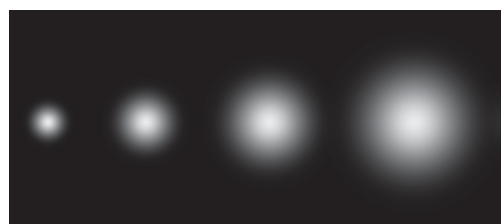
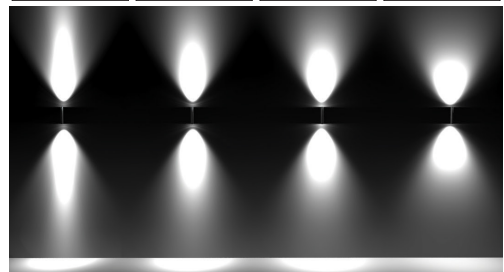
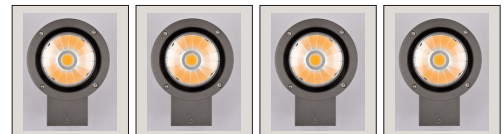
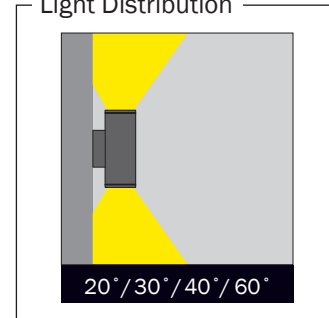
Venus-MW / [LGT.40.102](#)

Code	<a href="#">LGT.40.102.30</a>	
System Power	2x28W	
Lumen Output from Fixture	2700K	2x3765
	3000K	2x3840
	3500K	2x3920
	4000K	2x4000
	5000K	2x4120
Driving Current	700mA	
Dali Dimming Option	✓	
1-10V Dimming Option	✓	

### Dimensions

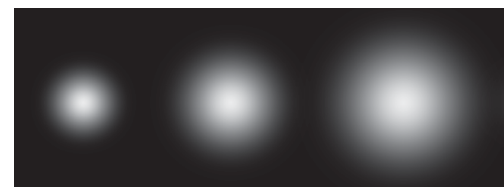
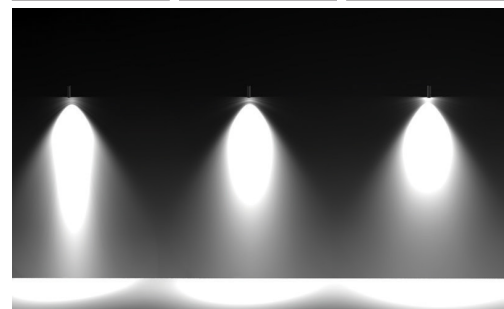
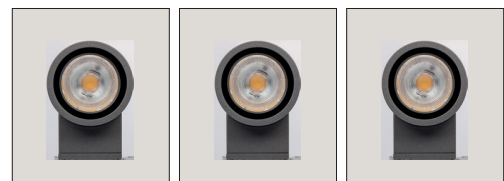
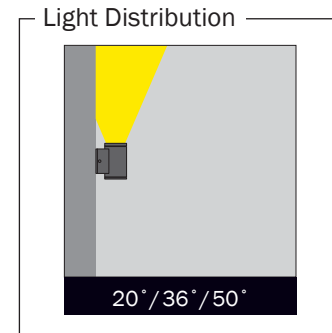
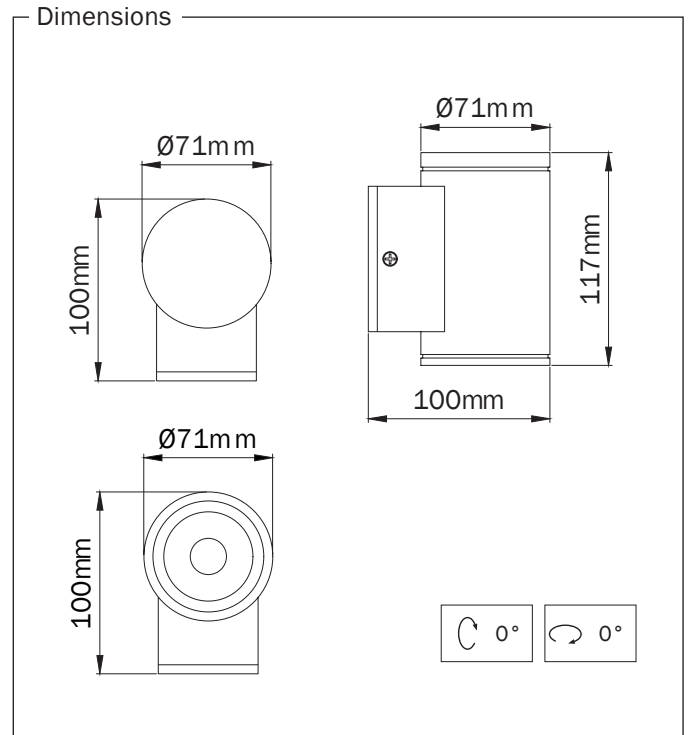


### Light Distribution





- Corrosion resistant die cast aluminium alloy.
- Installation with bracket on walls.
- Mains voltage: 220-240V / 50-60Hz.
- Spot, medium, wide and wide flood beam angles available.
- Convenient to be used with COB led.
- Led colour temperatures are optionally 2700K, 3000K, 3500K, 4000K and 5000K.
- Thermal shock resistant safety glass.
- Weatherproof and durable silicone rubber gasket.
- Ultraviolet stabilized polyester powder coat finish in white, black, dark gray and light gray finish.
- Luminaire can be installed in any burning position.
- Double layer polyester powder paint resistant to corrosion and salt spray fog.
- All external screws are stainless steel.
- High colour consistency: <3 SDCM
- Up to 125lm/W efficiency.



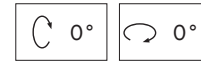
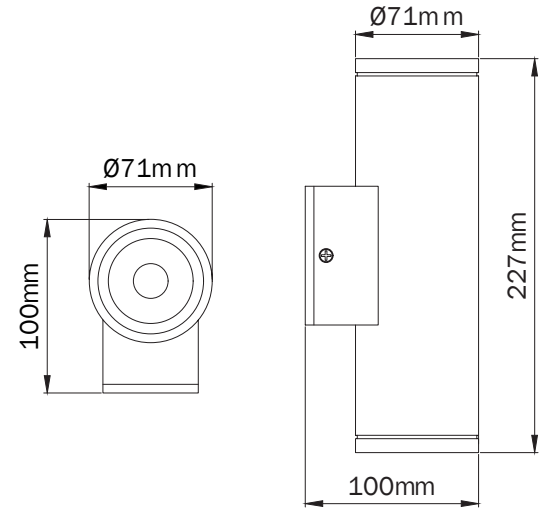
### Venus-S / [LGT.40.102](#)

Code	<a href="#">LGT.40.102.40</a>	
System Power	14W	
Lumen Output from Fixture CRI>80	2700K	1650
	3000K	1680
	3500K	1715
	4000K	1750
	5000K	1800
Driving Current	350mA	
Dali Dimming Option	✓	
1-10V Dimming Option	✓	

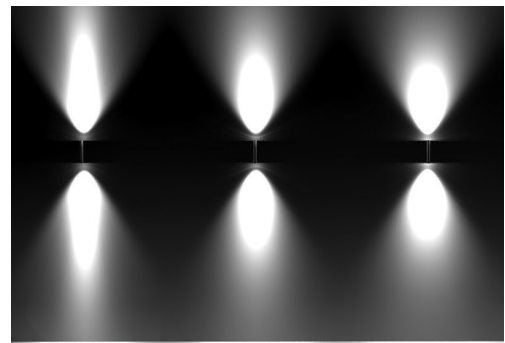
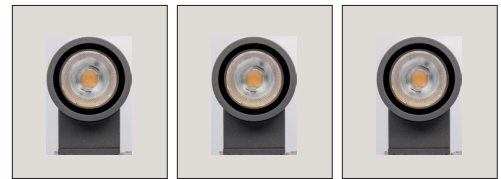
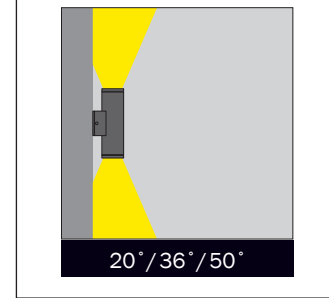


- Corrosion resistant die cast aluminium alloy.
- Installation with bracket on walls.
- Mains voltage: 220-240V / 50-60Hz.
- Spot, medium, wide and wide flood beam angles available.
- Convenient to be used with COB led.
- Led colour temperatures are optionally 2700K, 3000K, 3500K, 4000K and 5000K.
- Thermal shock resistant safety glass.
- Weatherproof and durable silicone rubber gasket.
- Ultraviolet stabilized polyester powder coat finish in white, black, dark gray and light gray finish.
- Double layer polyester powder paint resistant to corrosion and salt spray fog.
- All external screws are stainless steel.
- High colour consistency: <3 SDCM
- Up to 125lm/W efficiency.

### Dimensions



### Light Distribution



### Venus-SW / LGT.40.102

Code	LGT.40.102.50	
System Power	2x14W	
Lumen Output from Fixture	2700K	2x1650
	3000K	2x1680
	3500K	2x1715
	4000K	2x1750
	5000K	2x1800
CRI>80		
Driving Current	350mA	
Dali Dimming Option	✓	
1-10V Dimming Option	✓	