

# Merih

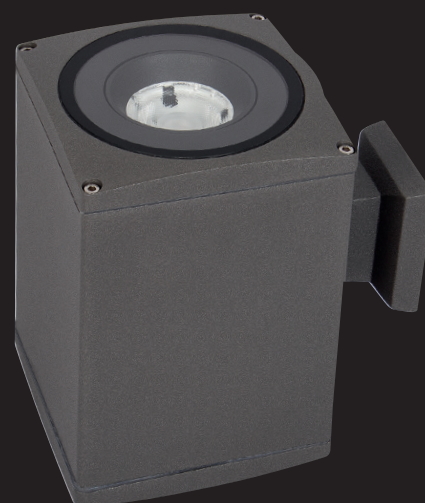
Wall Light Series



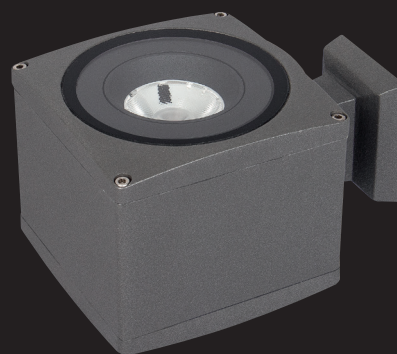
Merih-LW



Merih-L



Merih-MW



Merih-M

Nemo wall luminaires with an optical system is designed for uplight and downlight distribution in lighting architectural effects. Downlight to illuminate the wall and uplight to enhance the wall, ceiling and architectural structures. Lighting designers like to use facade mounted luminaires for general illumination on building surfaces and create emphasis with different beam angle options. There are two different dimensions available in Nemo range with different beam angle and CCT options for each.

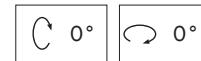
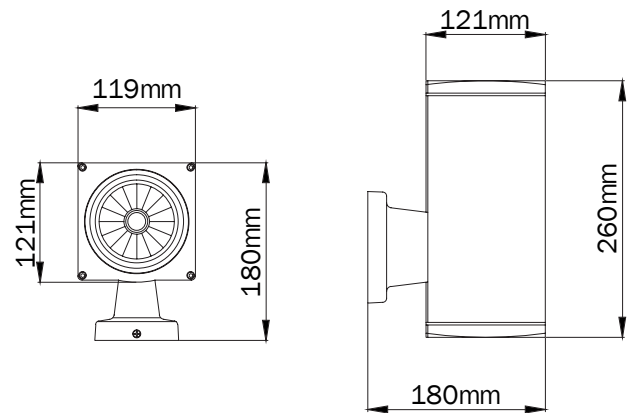


- Corrosion resistant die cast aluminium alloy.
- Installation with bracket on walls.
- Mains voltage: 220-240V / 50-60Hz.
- Spot, medium, wide and wide flood beam angles available.
- Convenient to be used with COB led.
- Led colour temperatures are optionally 2700K, 3000K, 3500K, 4000K and 5000K.
- Thermal shock resistant safety glass.
- Weatherproof and durable silicone rubber gasket.
- Ultraviolet stabilized polyester powder coat finish in white, black, dark gray and light gray finish.
- Double layer polyester powder paint resistant to corrosion and salt spray fog.
- All external screws are stainless steel.
- High colour consistency: <3 SDCM
- Up to 143lm/W efficiency.

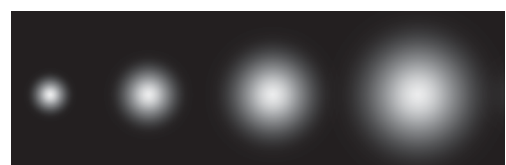
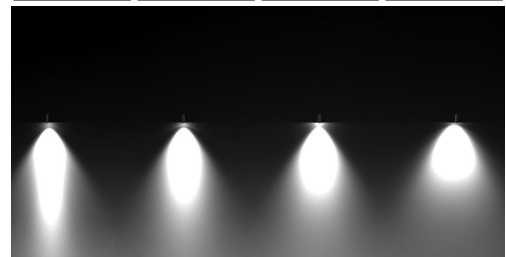
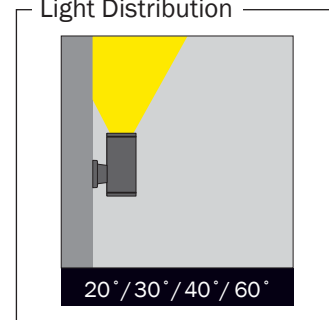
Merih-L / [LGT.40.103](#)

Code	<a href="#">LGT.40.103.01</a>	
System Power	28W	
Lumen Output from Fixture CRI>80	2700K	3765
	3000K	3840
	3500K	3920
	4000K	4000
	5000K	4120
Driving Current	700mA	
Dali Dimming Option	✓	
1-10V Dimming Option	✓	

### Dimensions



### Light Distribution



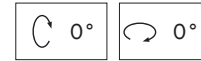
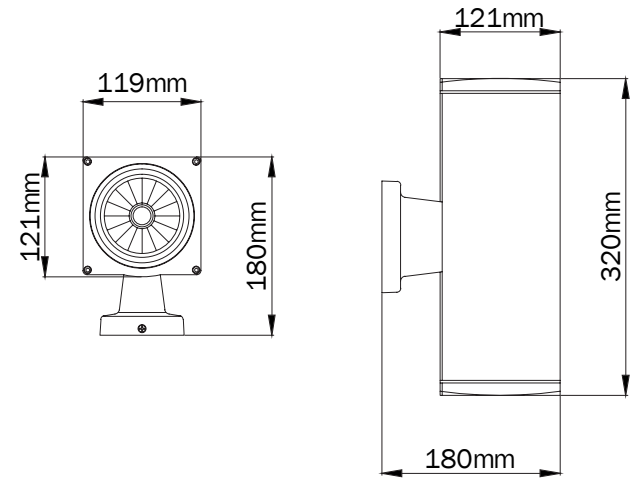


- Corrosion resistant die cast aluminium alloy.
- Installation with bracket on walls.
- Mains voltage: 220-240V / 50-60Hz.
- Spot, medium, wide and wide flood beam angles available.
- Convenient to be used with COB led.
- Led colour temperatures are optionally 2700K, 3000K, 3500K, 4000K and 5000K.
- Thermal shock resistant safety glass.
- Weatherproof and durable silicone rubber gasket.
- Ultraviolet stabilized polyester powder coat finish in white, black, dark gray and light gray finish.
- Double layer polyester powder paint resistant to corrosion and salt spray fog.
- All external screws are stainless steel.
- High colour consistency: <3 SDCM
- Up to 143lm/W efficiency.

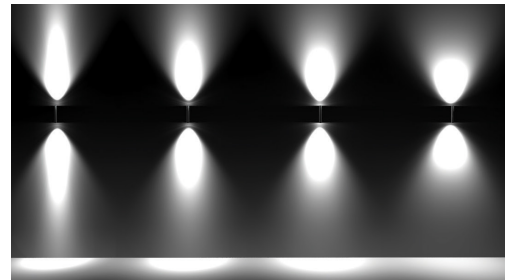
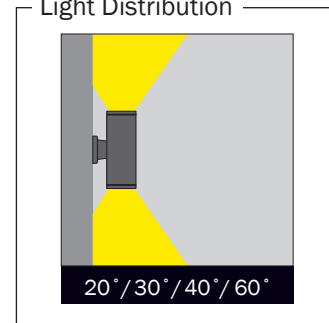
## Merih-LW / LGT.40.103

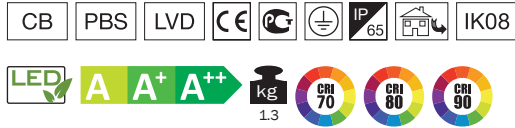
Code / Kod	LGT.40.103.10	
System Power / Sistem Gücü	2x28W	
Lumen Output from Fixture / Armatür Çıkış Lümeni CRI>80	2700K	2x3765
	3000K	2x3840
	3500K	2x3920
	4000K	2x4000
	5000K	2x4120
Driving Current / Sürüş Akımı	700mA	
Dali Dimming Option / Dali Dim Seçeneği	✓	
1-10V Dimming Option / 1-10V Dim Seçeneği	✓	

## Dimensions



## Light Distribution



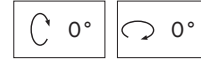
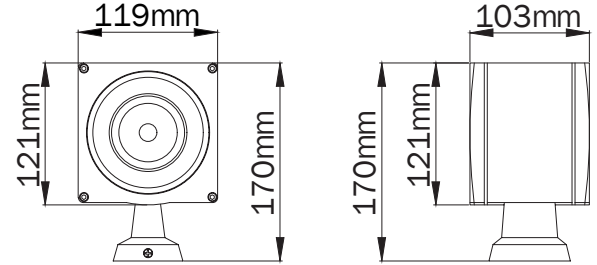


- Corrosion resistant die cast aluminium alloy.
- Installation with bracket on walls.
- Mains voltage: 220-240V / 50-60Hz.
- Spot, medium, wide and wide flood beam angles available.
- Convenient to be used with COB led.
- Led colour temperatures are optionally 2700K, 3000K, 3500K, 4000K and 5000K.
- Thermal shock resistant safety glass.
- Weatherproof and durable silicone rubber gasket.
- Ultraviolet stabilized polyester powder coat finish in white, black, dark gray and light gray finish.
- Luminaire can be installed in any burning position.
- Double layer polyester powder paint resistant to corrosion and salt spray fog.
- All external screws are stainless steel.
- High colour consistency: <3 SDCM
- Up to 125lm/W efficiency

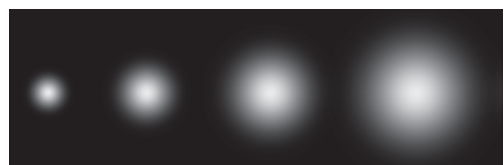
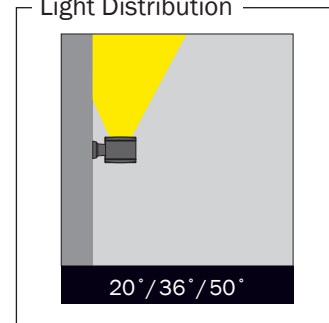
Merih-M / [LGT.40.103](#)

Code / Kod	<a href="#">LGT.40.103.20</a>	
System Power / Sistem Gücü	14W	
Lumen Output from Fixture / Armatür Çıkış Lümeni CRI>80	2700K	1650
	3000K	1680
	3500K	1715
	4000K	1750
	5000K	1800
Driving Current / Sürüş Akımı	350mA	
Dali Dimming Option / Dali Dim Seçeneği	✓	
1-10V Dimming Option / 1-10V Dim Seçeneği	✓	

### Dimensions



### Light Distribution



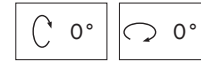
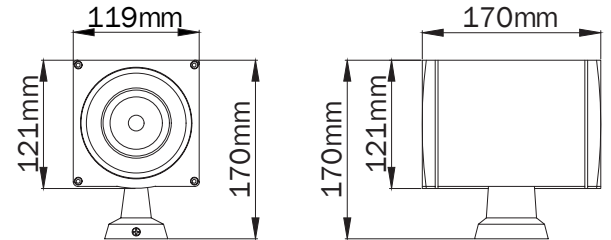


- Corrosion resistant die cast aluminium alloy.
- Installation with bracket on walls.
- Mains voltage: 220-240V / 50-60Hz.
- Spot, medium, wide and wide flood beam angles available.
- Convenient to be used with COB led.
- Led colour temperatures are optionally 2700K, 3000K, 3500K, 4000K and 5000K.
- Thermal shock resistant safety glass.
- Weatherproof and durable silicone rubber gasket.
- Ultraviolet stabilized polyester powder coat finish in white, black, dark gray and light gray finish.
- Double layer polyester powder paint resistant to corrosion and salt spray fog.
- All external screws are stainless steel.
- High colour consistency: <3 SDCM
- Up to 125lm/W efficiency.

### Merih-MW / LGT.40.103

Code	LGT.40.103.30	
System Power	2x14W	
Lumen Output from Fixture CRI>80	2700K	2x1650
	3000K	2x1680
	3500K	2x1715
	4000K	2x1750
	5000K	2x1800
Driving Current	350mA	
Dali Dimming Option	✓	
1-10V Dimming Option	✓	

### Dimensions



### Light Distribution

